

WHELEN[®]

ENGINEERING COMPANY INC.

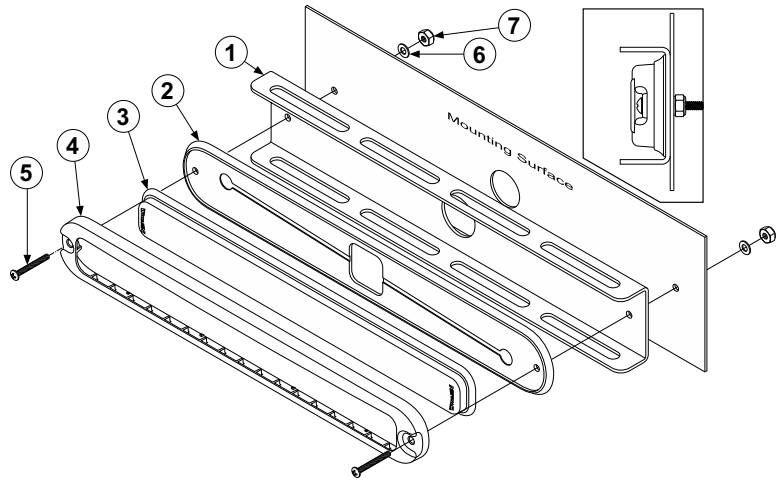
51 Winthrop Road,
Chester, Connecticut 06412-0684
Phone: (860) 526-9504
Fax: (860) 526-4078

Mounting Guide: Strip-Lite PLUS™ Brush Guard

Internet: www.whelen.com
Sales e-mail: autosale@whelen.com
Canadian Sales e-mail: canadiansales@whelen.com
Customer Service e-mail: custserv@whelen.com

Mounting...

1. Position the Brush Guard (1) against the proposed mounting surface. **Note: Be sure no vehicle components or equipment will be damaged or compromised by the installation of this product.** Using the guard as a template, mark the locations for 2 mounting holes and the wire passage hole.
2. Drill a clearance hole sized for a #6 machine screw (5) at the mounting hole locations. Drill a 0.875" wire passage hole centered between the mounting holes. Be sure to deburr this hole.
3. Assemble items 2, 3 & 4 as shown, route the Strip Lite wires through the bracket and wire passage hole. If necessary, waterproof this opening using RTV Silicone. Secure the assembly to the bracket using the hardware provided (5, 6 & 7).
4. Refer to the instructions included with your Strip Lite for wiring, fusing and operating information.



©2018 Whelen Engineering Company Inc.
Form No. 14B78 (051018)

For warranty information regarding this product, visit www.whelen.com/warranty

WHELEN[®]

ENGINEERING COMPANY INC.

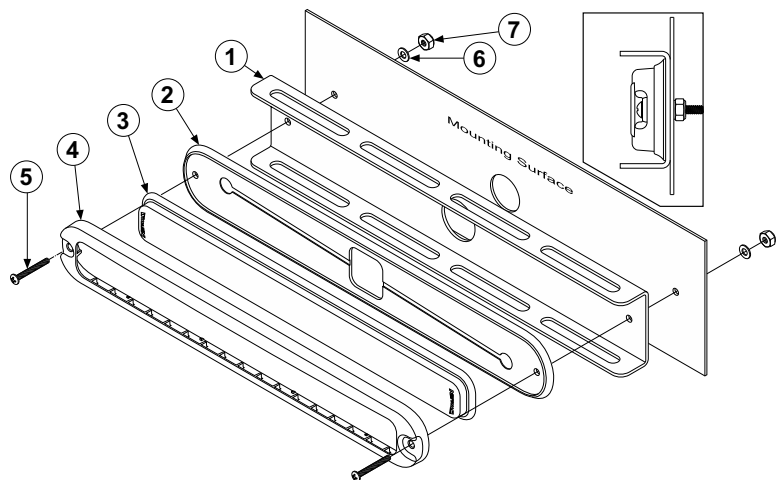
51 Winthrop Road,
Chester, Connecticut 06412-0684
Phone: (860) 526-9504
Fax: (860) 526-4078

Mounting Guide: Strip-Lite PLUS™ Brush Guard

Internet: www.whelen.com
Sales e-mail: autosale@whelen.com
Canadian Sales e-mail: canadiansales@whelen.com
Customer Service e-mail: custserv@whelen.com

Mounting...

1. Position the Brush Guard (1) against the proposed mounting surface. **Note: Be sure no vehicle components or equipment will be damaged or compromised by the installation of this product.** Using the guard as a template, mark the locations for 2 mounting holes and the wire passage hole.
2. Drill a clearance hole sized for a #6 machine screw (5) at the mounting hole locations. Drill a 0.875" wire passage hole centered between the mounting holes. Be sure to deburr this hole.
3. Assemble items 2, 3 & 4 as shown, route the Strip Lite wires through the bracket and wire passage hole. If necessary, waterproof this opening using RTV Silicone. Secure the assembly to the bracket using the hardware provided (5, 6 & 7).
4. Refer to the instructions included with your Strip Lite for wiring, fusing and operating information.



©2018 Whelen Engineering Company Inc.
Form No. 14B78 (051018)

For warranty information regarding this product, visit www.whelen.com/warranty