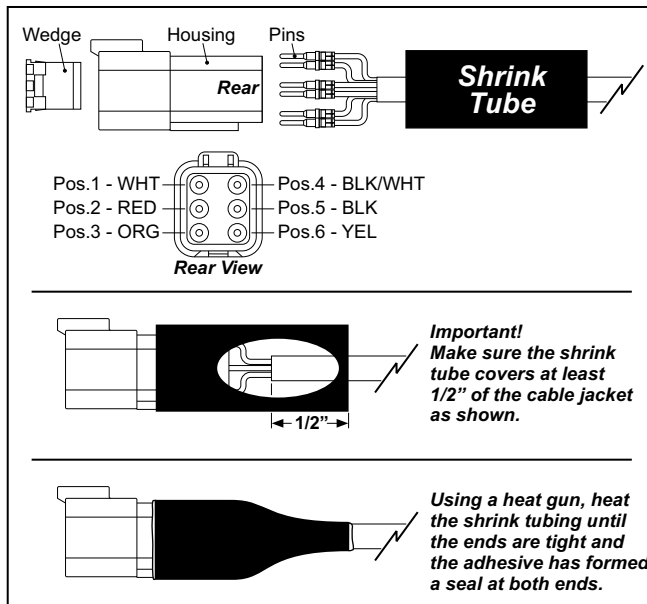


## WHELEN<sup>®</sup> ENGINEERING COMPANY INC.

51 Winthrop Road,  
Chester, Connecticut 06412-0684  
Phone: (860) 526-9504  
Fax: (860) 526-4078

Internet: [www.whelen.com](http://www.whelen.com)  
Sales e-mail: [autosale@whelen.com](mailto:autosale@whelen.com)  
Canadian Sales e-mail: [canadiansales@whelen.com](mailto:canadiansales@whelen.com)  
Customer Service e-mail: [custserv@whelen.com](mailto:custserv@whelen.com)



©2018 Whelen Engineering Company Inc.  
Form No. 14B80 (051818)

For warranty information regarding this product, visit [www.whelen.com/warranty](http://www.whelen.com/warranty)

## Installation Guide: Pioneer Summit™ Input Cable Waterproof Connector

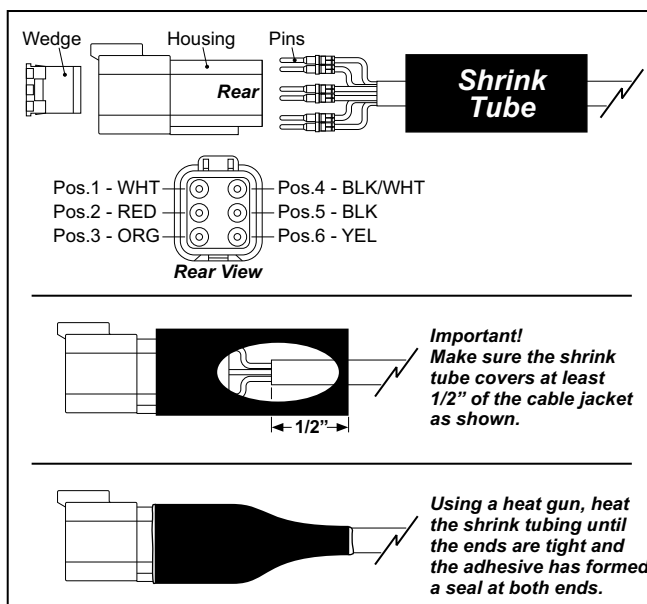
The following procedure will outline how to install the Deutsch™ waterproof connector onto the end of the Pioneer Summit input cable.

1. Locate the shrink tubing (included) and slide it over the end of the Pioneer Summit™ input cable.
2. Insert the pinned wires into the rear of the connector housing. **Important! Be sure to follow the pin locations and wire colors shown.** Gently tug each wire to confirm it has been fully seated.
3. Insert the Wedge into the connector housing so that it locks into place.
4. Slide the shrink tube into position. The tube should cover the last 1/2" of the cable jacket.
5. Use a heat gun to shrink the tube tightly around both the connector and the harness cable. When completed, the adhesive will form a seal around the openings at either end of the tube.
6. Refer to the instructions included with your Pioneer Summit™ for further wiring and operational information.

## WHELEN<sup>®</sup> ENGINEERING COMPANY INC.

51 Winthrop Road,  
Chester, Connecticut 06412-0684  
Phone: (860) 526-9504  
Fax: (860) 526-4078

Internet: [www.whelen.com](http://www.whelen.com)  
Sales e-mail: [autosale@whelen.com](mailto:autosale@whelen.com)  
Canadian Sales e-mail: [canadiansales@whelen.com](mailto:canadiansales@whelen.com)  
Customer Service e-mail: [custserv@whelen.com](mailto:custserv@whelen.com)



©2018 Whelen Engineering Company Inc.  
Form No. 14B80 (051818)

For warranty information regarding this product, visit [www.whelen.com/warranty](http://www.whelen.com/warranty)

## Installation Guide: Pioneer Summit™ Input Cable Waterproof Connector

The following procedure will outline how to install the Deutsch™ waterproof connector onto the end of the Pioneer Summit input cable.

1. Locate the shrink tubing (included) and slide it over the end of the Pioneer Summit™ input cable.
2. Insert the pinned wires into the rear of the connector housing. **Important! Be sure to follow the pin locations and wire colors shown.** Gently tug each wire to confirm it has been fully seated.
3. Insert the Wedge into the connector housing so that it locks into place.
4. Slide the shrink tube into position. The tube should cover the last 1/2" of the cable jacket.
5. Use a heat gun to shrink the tube tightly around both the connector and the harness cable. When completed, the adhesive will form a seal around the openings at either end of the tube.
6. Refer to the instructions included with your Pioneer Summit™ for further wiring and operational information.