

WHELEN[®]

ENGINEERING COMPANY INC.

51 Winthrop Road
 Chester, Connecticut 06412-0684
 Phone: (860) 526-9504
 Fax: (860) 526-2009
 Internet: www.whelen.com
 Sales/Service e-mail: aviation@whelen.com

Installation Guide: Model 90071 Wingtip Strobe Anti-collision/Position Light Assembly

Specifications:

Position Lights -

Current Draw 2.0 Amps @ 28 Volts D.C.
Weight 0.8 lbs.
Length 5.6"
Width 1.7"
Height 2.4"

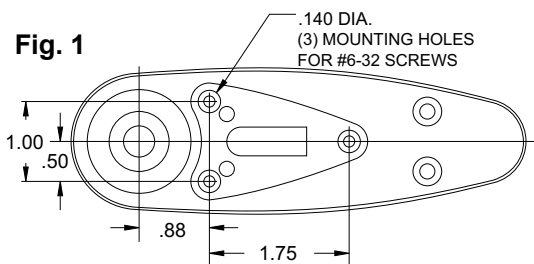
INSTALLATION...

The A600 Series must be properly mounted to comply with FAR Part 91.205(c-2) & (c-3). The light assembly must be mounted so that the light distribution pattern is not obstructed by any parts of the aircraft. A limited amount of obstruction is permitted (Ref. FAR Part 23.1401 for anti-collision lights, and FAR 23.1387 for position lights).

The baseplate must be mounted parallel to the vertical and horizontal centerlines of the aircraft to project the patterns properly.

MOUNTING...

1. If necessary, fabricate the mounting pattern using dimensions found in fig. 1.
2. Make the necessary wiring connections using 18 gage wire for the position lights, and Whelen 16 gage 3/c cable for the strobe lights. All connections must use FAA approved techniques.
3. Remove the two (6-32 x .312) retainer mounting screws, retainer and lens.
4. Attach the base assembly to the wingtip using (3) #6-32 countersunk screws (unit may be sealed around periphery with RTV or equivalent).
5. Re-attach the lens and retainer.



WIRING...

1. The strobe connector should plug into the Whelen interconnecting cable, or a Whelen strobe power supply.

Observe the following strobe color coding:

PIN 1 - RED (Anode)
PIN 2 - BLACK (Cathode)
PIN 3 - WHITE (Trigger)

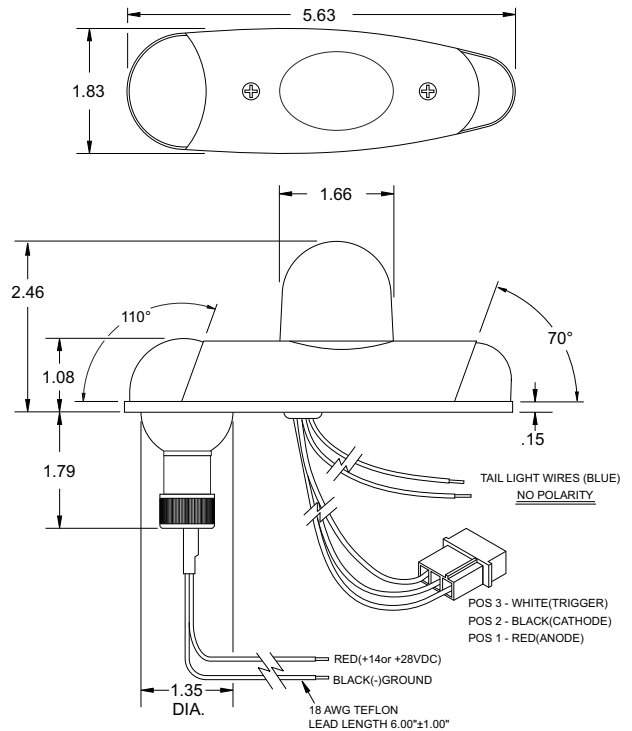
Caution: When pins 1 & 2 or pins 2 & 3 are reversed, the system will appear to operate normally, however this condition will cause premature flash tube failure.

2. Connect the forward position light wires as follows:

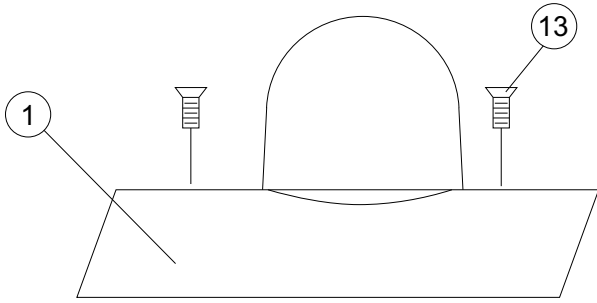
RED - (+) 28 volts
BLACK - (-) Ground

3. The tail position light has no polarity, as noted by both wires being BLUE. Connect one BLUE wire to +28 volts. Connect the other BLUE wire to ground (see fig. 2).

Fig. 2



For warranty information regarding this product, visit www.whelen.com/warranty



ITEM	PART NUMBER	DESCRIPTION
1	02-0350071-35	LENS/RETAINER ASSEMBLY (A612-D)
2	02-0250276-00	FLASH TUBE ASSEMBLY
3	68-4230020-40	LENS, GREEN (W1284-G)
4	68-4230020-50	LENS, RED (W1284-R)
5	38-0230021-00	GASKET (W1283)
6	34-0428020-65	LAMP, 28V (W1290-28)
7	02-0350259-00	BASEPLATE ASS'Y (A605)
8	34-0412070-64	LAMP, 28V (A508-28)
9	02-0350260-00	SOCKET ASS'Y (A507)
10	38-0130090-00	GASKET (A616)
11	68-4250066-30	LENS (A615)
12	38-0130107-00	GASKET (A427-A)
13	14-0050508-27	#6-32 x 5/16 PHILLIPS FHMS (MS51959-27)

NOTE:
LENS/RETAINER ASSEMBLY (A612-D) P/N 02-0350071-35 CONSISTS OF AN RF COATED LENS ELECTRICALLY BONDED TO THE ALUMINUM RETAINER. THE BOND MAY EXHIBIT GAPS OR SEPARATION. THIS IS ACCEPTABLE. THIS RF BOND IS NOT A SEAL.

