

WHELEN[®]

ENGINEERING COMPANY INC.

51 Winthrop Road
 Chester, Connecticut 06412-0684
 Phone: (860) 526-9504
 Fax: (860) 526-2009
 Internet: www.whelen.com
 Sales/Service e-mail: aviation@whelen.com

Installation Guide:
Model(s) OR6502G4, OR6502R4
P/N 01-0790725-15, 01-0790725-16

Orion 650 Wingtip Position/Anti-Collision Lighthouse

TSO-C30c
 TYPE I & II;
 APPROVED



TSO-C96a
 CLASS II;
 APPROVED

The conditions and tests required for TSO approval of this article are minimum performance standards. It is the responsibility of those installing this article either on or within a specific type or class of aircraft to determine that the aircraft installation conditions are within the TSO standards. TSO articles must have separate approval for installation in aircraft. The article may be installed only if performed under 14 CFR part 43 or the applicable airworthiness requirements.

SPECIFICATIONS:

Nominal Operational Voltage: 28VDC
 (Operational from 22-32VDC)
Input Current:
 Position Lights..... 0.2 Amps
 Anti-Collision Light (Avg.)..... 0.24 Amps
 Anti-Collision Light (Pulse)..... 2.5 Amps
 Flashrate 45 ± 5 FPM

EQUIPMENT LIMITATIONS:

An approved forward position lighting system consists of three lights, one located on the tail and one located on each wingtip. Model OR650() is a wingtip forward position and anti-collision light. The assembly should be mounted as far outboard on the aircraft as practical. The baseplate must be mounted parallel to the vertical and horizontal centerlines of the aircraft to project the patterns properly. Certain types of installations may require additional testing.

CONTINUED AIRWORTHINESS:

The forward position light is designed with Green or Red LEDs. The anti-collision light is designed with 8 white LEDs. If any one LED fails, the unit must be repaired or replaced.

Inspect the lens, replace if there is excessive scratching, pitting, discoloration or cracking.

Note: To reduce eye strain, use an optical filter such as dark glasses or a blue covering dome during LED inspection.

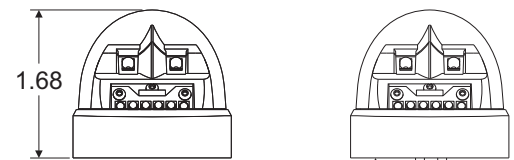
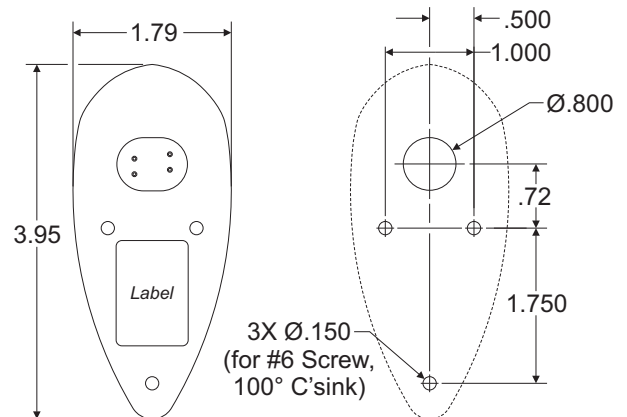
INSTALLATION PROCEDURES:

The following information is to assist you in installing a Whelen light system.

1. Choose the appropriate light assembly.
2. Using the mounting detail information provided, prepare the aircraft for means to secure the light assembly.
3. Carefully remove the #4 phillips head screw and lens retainer. Remove the lens from the light assembly by lifting the rear of the lens approximately 1/2". Now slide the lens rearward approximately 1/4" and lift upwards to remove. **CAUTION! To avoid potential damage, do not touch the LEDs with either fingers or sharp objects.** Remove the 3 Phillips head screws securing the baseplate to the light assembly. Remove baseplate.
4. Using the appropriate hardware install the baseplate directly to the aircraft.
5. Route the wires through the opening in the baseplate. Connect the light inputs according to the chart shown. Connect the power lead to an appropriately sized breaker. Connections to be according to FAA approved methods.
 Note: SYNC is a low-power, bi-directional control signal. Connecting to the synchronize signal of any Whelen LED anti-collision assembly to another Whelen anti-collision assembly will cause the lights to flash at the same time. If Synchronization is not necessary, the connection may be left open.

6. Re-install the light assembly on to the baseplate and insure that all leads are clear of any obstructions and secured as required. Note that proper orientation is achieved with the drain hole down.
7. Install lens in the reverse order as removal and return the lens retainer to its installed location. **Note: Visually confirm that the lens and retainer are fully and properly seated.** Re-insert #4 phillips head screw and tighten firmly.
8. When necessary, seal the light to the aircraft. Apply sealant around the perimeter of the base. Do not cover the drain hole.
9. Check all avionics systems for interference from this installation.
10. A flight check should be performed by a properly certified pilot.
11. Update aircraft records, complete Form 337 and obtain FAA field approval for installation, if required.

Mounting Detail



WIRING

White+28VDC (ACL)
 Orange+28VDC (POS)
 Yellow.....SYNC
 BlackGround

10"±1.0"
 20 AWG
 MIL-22759/34 Wire

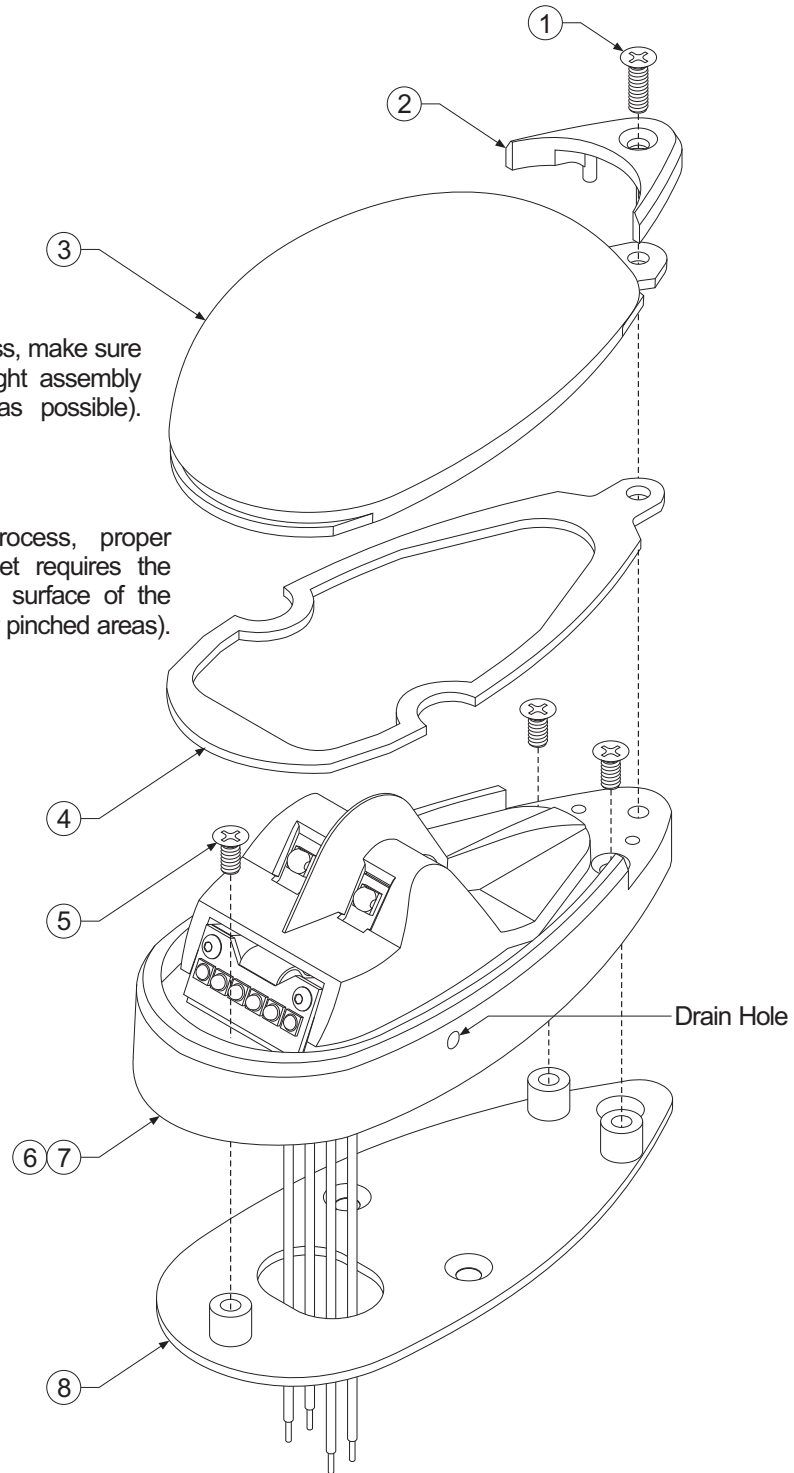
Aviation

Lens Note:

During the re-assembly process, make sure the lens fully engages the light assembly (positioned as far forward as possible).

Lens Gasket Note:

During the re-assembly process, proper installation of the lens gasket requires the gasket to lie flat against the surface of the light assembly (no distortion or pinched areas).



QTY	QTY	ITEM	PART NUMBER	DESCRIPTION
	*		01-0790725-15	OR6502G4 Wingtip Position/Anti-Collision Light, 28V (Green)
*			01-0790725-16	OR6502R4 Wingtip Position/Anti-Collision Light, 28V (Red)
1	1	1	14-0050581-05	Screw, 4-40 x 7/16 P100FH CSNK MS24693-C5
1	1	2	19-151088-000	Retainer, Lens
1	1	3	68-4971801A30	Lens
1	1	4	38-0231462-00	Gasket, Lens
3	3	5	14-0050581-02	Screw, 4-40 x 1/4 P100FH CSNK MS24693-C2
-	1	6	01-0290812-15	OR6502G4 Assembly (Green)
1	-	7	01-0290812-16	OR6502R4 Assembly (Red)
1	1	8	07-551089-100	Adapter, Mounting