

2000 Series Strobe Beacons

BEACONS



2000 Series Strobe Beacons...
Continuing to set the standards
for the industry in the strobe
beacon market.



MIRROR20

BBKT20

BGH



2022LPA

2015HA

2012LPVA

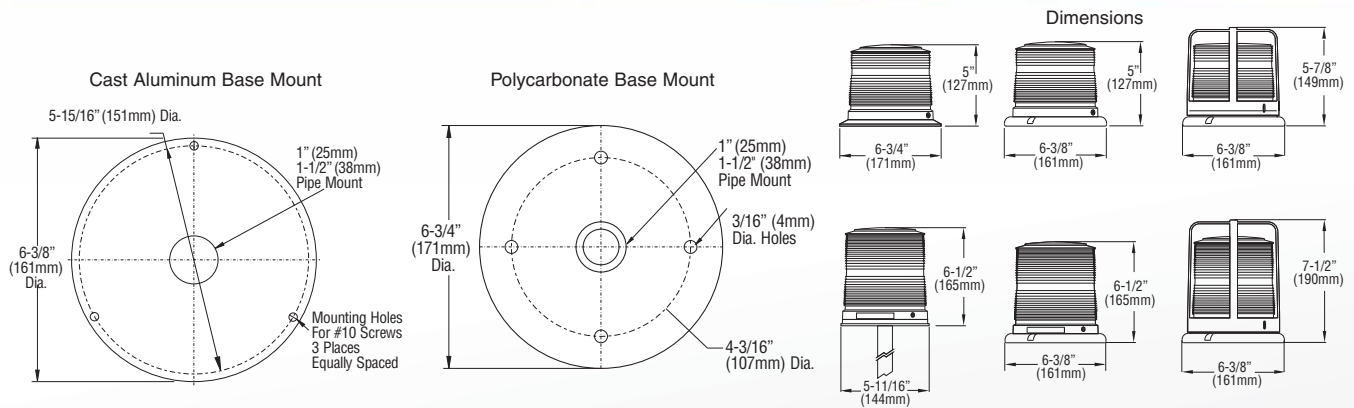
FEATURES

- Fully enclosed base: Whether you choose the sturdy polycarbonate base or the cast aluminum base model, all strobe power supplies are encased within the base itself for added protection against moisture and vibration.
- Silicone coated power supplies: For added protection against the elements, all strobe power supplies are double dipped in a uniquely formulated silicone mixture before being secured into the base enclosure.
- External flange mount, internal "secure" mount, or pipe mount all in one: All 2000 Series strobe beacons come standard with a base that allows you to either:
 - (1) externally mount the beacon with a sturdy built-in flange,
 - (2) knock out three holes for permanent "secure mount", or
 - (3) pipe mount via a built-in 1" pre-threaded base.
- Interchangeable optic domes: High dome strobe beacons are equipped with single lens optics to optimize their light output. All beacons utilize the same low and high domes for ease of interchangeability.
- Easy access for modular parts replacement.
- Warranty: All 2000 Series strobe products offer a two year warranty on all strobe power supplies, and a six month warranty on all flash tubes.
- All models 12/24 VDC operation.
- Multiple flash patterns and Hi/Low intensity control available with Models 2015 and 2022.
- Low current consumption, reverse polarity protection.
- Large diameter, 7mm xenon flash tube easily plugs in for single field replacement (U-shaped or 1-1/2" turn helix design).
- Modular electronic assembly is removable as a single unit. Uses 1/2 the power of most rotating lights.
- Fully enclosed, molded polycarbonate base or die cast aluminum base depending on model selected.
- Tough, shatter-resistant polycarbonate double fresnel lenses provide optically correct 360° light dispersion. Available in high or low profile, in all five safety colors.
- Knock-out holes in base for concealed, tamper-proof mounting.
- Standard base includes both recessed 1" pipe and flat mount.



WHELEN[®]

2000 Series Beacons



MODEL	MODEL NO.	MOUNT	PROFILE	BASE	WATTS	JOULES	FPM	VDC	CONTROL	CERTIFICATION
2022 SERIES	2022LP*	perm/pipe	low	polycarbonate	32 input 22 output	19	72 QuintFlash™ default; DoubleFlash, RapidRandom™ & ActionFlash™ also built-in	12/24	manual Hi/Low control	SAE Class 1 Certified (amber)
	2022LP*M	magnetic								
	2022LP*V	magnetic/suction								
	2022LC*	perm/pipe								
	2022HP*	perm/pipe	high	polycarbonate						
	2022HP*M	magnetic								
	2022HP*V	magnetic/suction								
	2022HC*	perm/pipe							cast aluminum	
2022AP*	perm/pipe	polycarbonate								
2015 SERIES	2015LP*	perm/pipe	low	polycarbonate	22 input	13	72 QuintFlash default; DoubleFlash, RapidRandom & ActionFlash also built-in	12/24	-	SAE Class 2 Certified (all colors)
	2015LP*M	magnetic								
	2015LP*V	magnetic/suction								
	2015HP*	perm/pipe	high		15 output					
	2015HP*M	magnetic								
2015HP*V	magnetic/suction									
2012 SERIES	2012LP*	perm/pipe	low	polycarbonate	22 input	8	120 Rapid Single	12/24	-	SAE J845 Class 2 Certified (all colors)
	2012LP*M	magnetic								
	2012LP*V	magnetic/suction								
	2012HP*	perm/pipe	high		15 output					
	2012HP*M	magnetic								
	2012HP*V	magnetic/suction								

OPTIONS

MODEL NO.	DESCRIPTION
MMK	magnetic kit with 8' cord & plug
DCH	dust cover (high dome only)
BGL	branch guard, low dome
BGH	branch guard, high dome
LSK	lighted switch kit
MIRROR20	West Coast mirror mount bracket
BBKT20	stainless steel shelf mount bracket mounts to flat vertical surface

Replace (*) in model numbers with letter indicating dome color choice:
A = Amber, **B** = Blue, **G** = Green, **C** = Clear, **R** = Red

REPLACEMENT PARTS

DOMES	FLASH TUBE
DH2000* (high)	FT20A (2022)
DL2000* (low)	FT10A (2012, 2015)

WHELEN[®]
 ENGINEERING COMPANY, INC.

51 Winthrop Road
 Chester, Connecticut 06412-0684
 (860) 526-9504 • Fax: (860) 526-4078
 www.whelen.com

Whelen Engineering reserves the right to upgrade and improve products without notice.
 © 2010 Whelen Engineering Company, Inc. Printed in U.S.A.
 NASCAR® is a registered trademark of the National Association for Stock Car Auto Racing, Inc.
 Code No. 12421A - 10/10