



Officially Licensed
Warning Lights Of
NASCAR®

2500 Series Encapsulated Strobe Beacons



Fully encapsulated electronics are impervious to damage from moisture and vibration.



FEATURES

- Encapsulated electronics.
- Built-in LED diagnostic indicator displays the operational state of electronic power supply and flash tube.
- Automatic PhotoCell Hi/Low can be overridden to maintain high intensity during nighttime operation.
- Combination mounting: permanent mount, and pipe/flat/"J" hook mount.
- Magnetic mount models supplied with 10' cord and cigar plug with On/Off switch with LED "On" indicator. CometFlash® is the factory supplied flash pattern. Low power feature is not available in magnetic mount models.
- New magnetic vacuum/suction cup mount model available.
- 7 Scan-Lock™ flash patterns, see back of product bulletin.
- One simple-to-replace flash tube for all versions.
- Operating temperature -31° to +149°F (-35°C to +65°C).
- Cast aluminum or polycarbonate base.

Note: Magnetic mount models do not offer Scan-Lock, cruise light, low power or SYNC functions.

Note: The use of any magnetic mounted warning beacon on the vehicle while in motion, is at the discretion and risk of the user.

MODELS

■ 2515 Series

Class 2, SAE Certified (all colors).
Input power: 21.5 watts.
Output power: 15 watts; 13 joules.
Input current: 1.7 amps/12 VDC;
0.9 amps/24 VDC
0.5 amps/36 VDC
0.3 amps/48 VDC.
12/48 VDC.

■ 2519 Series

Class 1 SAE Certified, (amber).
Input power: 27 watts.
Output power: 19 watts; 16 joules.
Input current: 2.1 amps/12 VDC;
1.1 amps/24 VDC.
12/24 VDC.

■ 2526 Series

Class 1, SAE Certified, (all colors).
Input power: 37 watts.
Output power: 26 watts; 22 joules.
Input current: 2.9 amps/12 VDC;
1.5 amps/24 VDC.
12/24 VDC.



All Whelen Products
are proudly made
in the U.S.A.



Available in
5 Safety Colors

Form# 25001004

NASCAR® is a registered trademark of the National Association for Stock Car Auto Racing, Inc.

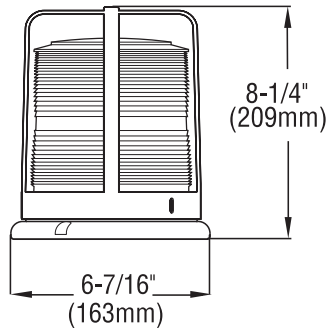
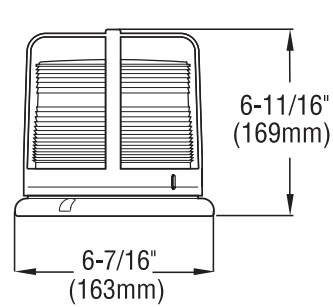
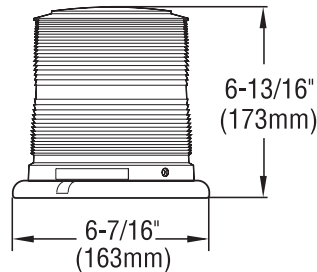
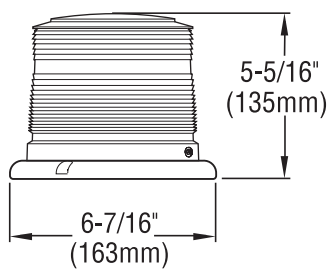
WHELEN®
ENGINEERING COMPANY, INC.

Route 145, Chester, CT 06412-0684
(860) 526-9504 • Fax (860) 526-4078
www.whelen.com

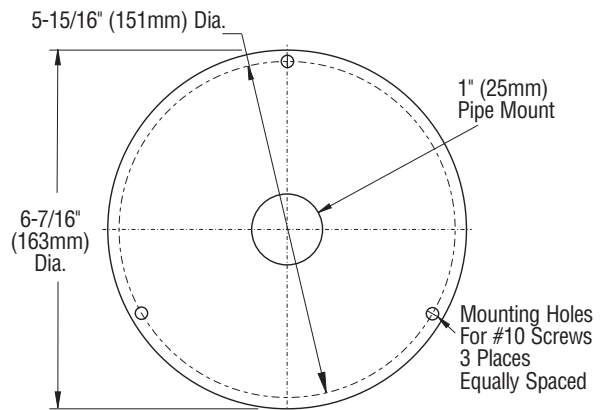
Engineers for the Emergency Warning Industry

2500 SERIES BEACONS

2500 Series Specifications



MOUNTING



OPTIONS

- MMK90 lb. pull magnet mt. kit with 8 ft. cord & plug
- CP8 ft. cord and plug only, no magnet
- LB2000L bracket for side mounting
- DCHDust cover for high dome only
- SSSun shade, mylar
- BGLBranch guard for low dome
- BGHBranch guard for high dome
- LSK.....Single lighted switch mounted on bracket, wired & fused

7 Scan-Lock™ Flash Patterns

- CometFlash®70 FPM (default pattern)
- TripleFlash™80 FPM
- DoubleFlash90 FPM
- SingleFlash120 FPM
- ModuFlash™60-120-60 FPM
- ActionFlash™ ..Comet-Single
- ScanFlash™Comet-Single-Triple-Single-Double-Single-Repeat

REPLACEMENT PARTS

- DH2000*High dome
- DL2000*Low dome
- FT25Flash tube

ORDERING

Model Description

2515 & 2519 Series with polycarbonate base, encapsulated, 7 Scan-Lock™ flash patterns, photocell Hi/Low with Hi Power Over-ride, magnetic mount with CometFlash® and Hi Power only.

- 2515LP*15 watt, perm/pipe/"J" hook mount, low dome
- 2515HP*15 watt, perm/pipe/"J" hook mount, high dome
- 2515LP*M15 watt, magnetic mount, low dome
- 2515HP*M15 watt, magnetic mount, high dome
- 2515LP*V15 watt, vacuum suction/cup mount, low dome
- 2515HP*V15 watt, vacuum suction/cup mount, high dome
- 2519LP*19 watt, perm/pipe/"J" hook mount, low dome
- 2519HP*19 watt, perm/pipe/"J" hook mount, high dome
- 2519LP*M19 watt, magnetic mount, low dome
- 2519HP*M19 watt, magnetic mount, high dome
- 2519LP*V19 watt, vacuum suction/cup mount, low dome
- 2519HP*V19 watt, vacuum suction/cup mount, high dome

2515, 2519 & 2526 Series with cast aluminum base, encapsulated, 7 Scan-Lock flash patterns, photocell Hi/Low with Hi Power Over-ride.

- 2515LC*15 watt, perm/pipe/"J" hook mount, low dome
- 2515HC*15 watt, perm/pipe/"J" Hook Mount, High Dome
- 2519LC*19 watt, perm/pipe/"J" Hook Mount, Low Dome
- 2519HC*19 watt, perm/pipe/"J" Hook Mount, High Dome
- 2526HC*26 watt, perm/pipe/"J" Hook Mount, High Dome

* Replace asterisk in model numbers with desired color.
A = Amber, B = Blue, C = Clear, G = Green, R = Red

WHELEN[®]
ENGINEERING COMPANY, INC.

Route 145, Winthrop Road
Chester, Connecticut 06412-0684
(860) 526-9504 • Fax: (860) 526-4078
www.whelen.com



Whelen Engineering reserves the right to upgrade and improve products without notice.