

B6T & B6LED Series Beacons

COMBINATION TAILBOARD LIGHTING

BEACONS

Tailboard lighting designed for use in NFPA 1901 Lighting Packages, these beacons combine 360° warning with directional lower level lighting in a single fixture.



B6LED

B6T

FEATURES

- 700 Series directional lighthouse in Linear Super-LED, Scenelight or brake/tail/turn with built-in electronic flasher.
- Built-in flasher has 14 Scan-Lock™ flash patterns, Hi/Low intensity, built-in cruise light mode on LED beacon, steady-burn and synchronization feature available.
- Casting mounts to a flat surface fast and simple using three Fastex™ screw grommets and three #10 fasteners.
- Polished finish on heavy-duty cast aluminum housing.
- When used as a pair with red rotators alone, meets NFPA photometric requirements for Zone C, Upper.
- Fixture for combination/flat/permanent mounting, offers economy installation and eliminates body panel cutouts for directional lighthouses.
- Domes and lenses for NFPA application in red, amber or blue only. Refer to our "NFPA 1901 Specification Lighting Packages" booklet for further details.

B6LED Series

- 360° Super-LED® beacon and Linear Super-LED directional 700 Series lighthouse.
- Patent pending all new Super-LED optical design packs all the punch of strobe while retaining the superior performance characteristics of LED.
- 28 Scan-Lock flash patterns and four simulated rotating patterns.
- Rugged and low profile.
- Available in 12 VDC.

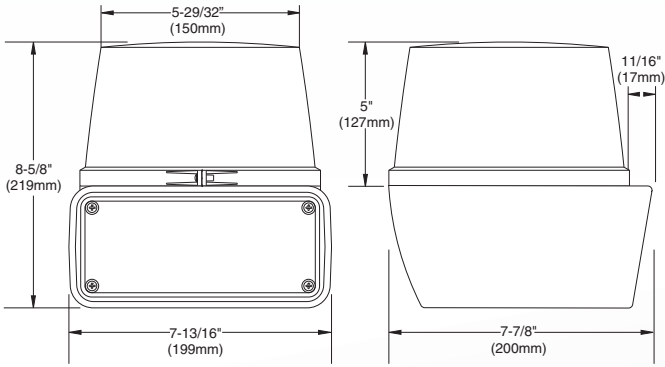
B6T Series

- Dual rotating halogen reflector and Linear Super-LED directional 700 Series lighthouse.
- The rotating beacon has a rotator assembly with precision double ball bearing design for superior long-life performance.
- Redesigned parabolic reflector for increased light output and a steel base plate for optimum shock mounting and durability.
- Rotating beacon uses a snap-in 50 Watt halogen lamp.
- Three year warranty on motor assembly.
- Available in 12 or 24 VDC.



WHELEN®

B6T & B6LED Beacon Series Specifications



B6T SERIES

B6T SERIES MODEL

B6TM1P**RB6T Rotating Halogen Beacon upper section and directional Linear-LED in lower section.

ELECTRICAL AND PHYSICAL DATA

VOLTAGE.....12.8 VDC
CURRENT.....3.9 Amps
FLASH RATE.110 RPM
WEIGHT.....3 lbs., 13 oz. (1.7 kg)

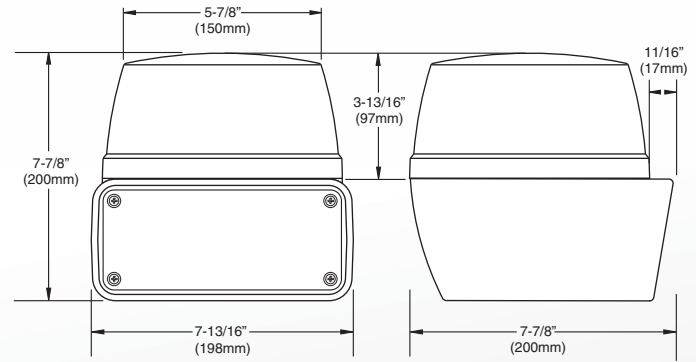
B6T ROTATOR

Voltage 12.8 VDC
 Current 4.7 amps
 Flash rate 128 RPM

* Replace asterisks in model number with lens color desired:
A = Amber; **B** = Blue; **R** = Red.

First asterisk refers to rotator dome; second refers to 700 Series lens.

Not available in clear or green.
 Consider model B6MM for these lighting needs.



B6LED SERIES

B6LED SERIES MODEL

B6MMP**Super-LED® Beacon upper section and directional linear Super-LED lighthead in lower section.

ELECTRICAL AND PHYSICAL DATA

VOLTAGE.....12.8 VDC
CURRENT.....3.9 Amps
WEIGHT.....3 lbs., 13 oz. (1.7kg)

B6M SUPER-LED BEACON

VOLTAGE.....12.8 VDC
CURRENT.....3.8 amps peak, 1.5 avg.

700 SERIES SUPER-LED®

Flash rate has built-in electronic flasher with 14 Scan-Lock™ patterns plus steady-burn available:

- SignalAlert™ 75 • SignalAlert 150 • SingleFlash 375
- SingleFlash 150 • SingleFlash 75 • SingleFlash 15
- DoubleFlash 150 • DoubleFlash 75 • CometFlash® 75
- ActionFlash™ • ModuFlash™ • ComAlert™ • ActionScan™
- SignalAlert™ Steady • Steady (Brake)

* Replace asterisks in model number with lens color desired:
A = Amber; **B** = Blue; **R** = Red.

First asterisk refers to rotator dome; second refers to 700 Series lens.

Contact us for our "NFPA 1901 Specification Lighting Packages" booklet. This booklet details complete packages and zone packages meeting NFPA 1901 requirements. Each lighting package includes a "Certificate of Compliance with NFPA 1901".



WHELEN®
 ENGINEERING COMPANY, INC.

51 Winthrop Road
 Chester, Connecticut 06412-0684
 (860) 526-9504 • Fax: (860) 526-4078
 www.whelen.com

Whelen Engineering reserves the right to upgrade and improve products without notice.
 © 2011 Whelen Engineering Company, Inc. Printed in U.S.A.
 NASCAR® is a registered trademark of the National Association for Stock Car Auto Racing, Inc.
 Code No. 10559H - 04/11