

L10 Series

ECONOMICAL LED CLASS 1 AMBER BEACONS



Finally! Class 1 LED Beacons are cost effective while lasting 50 times longer than strobe beacons!

Never has it been a better time to change to 21st Century technology which will provide your customers the benefit of 50 times the rated life of strobe. These completely solid-state beacons are covered by a end user direct 5 year warranty. Make your vehicles shine with these high quality, affordable LED beacons ... all proudly Made in the USA.

FEATURES

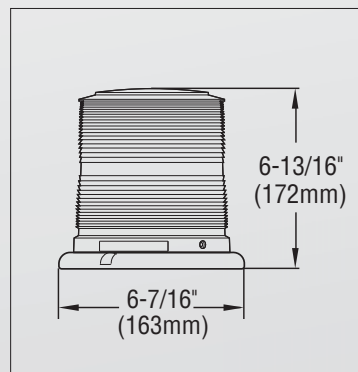
- L10 meets SAE J845, Class 1.
- High dome.
- Amber only.
- 12V or 24V models.
- SignalAlert™ 75 default flash pattern.
- Eighteen total flash patterns including steady-burn.
- Polycarbonate base.
- Permanent mount.
- 5 year HDP® Heavy-Duty Professional warranty.

MODELS

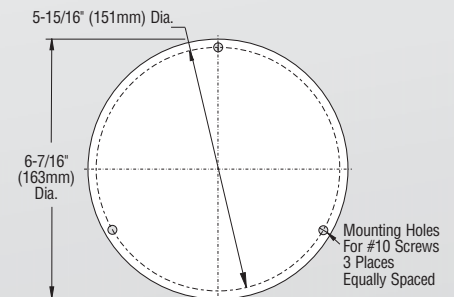
- L10HAP:**High dome, 12V permanent mount.
- L10HAP4:**High dome, 24V permanent mount.



L10HAP



Mounting



Whelen Engineering reserves the right to upgrade and improve products without notice.
© 2011 Whelen Engineering Company, Inc. Printed in U.S.A.
NASCAR® is a registered trademark of the National Association for Stock Car Auto Racing, Inc.
Code No. 12484A - 09/11

WHELEN®
ENGINEERING COMPANY, INC.

51 Winthrop Road
Chester, Connecticut 06412-0684
(860) 526-9504 • Fax: (860) 526-4078
www.whelen.com