

L22 Series



Officially Licensed
Warning Lights Of
NASCAR®

360° ENCAPSULATED UNIFORM INTENSITY SUPER-LED® BEACONS



L22HAP
Polycarbonate
base, high dome.



L22HRV
Magnetic/Suction
mount, high dome.



L22LAP
Polycarbonate
base, low dome.

Certified SAE Class II beacons have a rated life that exceeds comparable flash tubes by more than 50:1.

Solid-state beacons resemble traditional strobe beacons but have greater light output, lower amp draw, and longer life.

These beacons feature generation 3.5 LED technology that rivals strobe in power.

FEATURES

- Fully encapsulated electronics are moisture and vibration resistant.
- Certified SAE J845 Class, Class II 360° (amber).
- Select 12 or 24 VDC.
- High or low dome.
- 100,000 hour rated life.
- SmartLED® beacon design.
- Polycarbonate base.
- Five-year warranty.

Permanent Mount Models

- Combination mounting: pipe, permanent or J-hook.
- Permanent/pipe mount supplied with 6" pigtail.
- 15 Scan-Lock™ flash pattern built-in.

Magnetic & Magnetic/Suction Mount Models

- Supplied with 10' straight cord and cigar plug with LED "ON" indicator On/Off switch.
- 12 VDC models.
- 80 lb. magnetic mounting base.
- Low amp draw: 0.65 (peak), 0.26 (average) @12.8 VDC.
- Magnetic or magnetic/suction mount models do not include Scan-Lock™, cruise light, low power or SYNC functions.
- SignalAlert™ 75 flash pattern default



Cutaway showing encapsulation.



L22, mirror mounts.



Whelen products
are proudly designed
and manufactured
in the U.S.A.

L22 SUPER-LED® SERIES BEACONS

Available in Red, Amber,
White/Clear and Blue

Form# L221110

WHELEN®
ENGINEERING COMPANY, INC.

Engineers for the Emergency Warning Industry

L22 Beacons High & Low Dome Models

- L22H*P:**..... Combination mount, polycarbonate base, 12 VDC
L22H*M:..... Magnetic mount, polycarbonate base, 12 VDC
L22H*V:..... Magnetic/suction mount, polycarbonate base, 12 VDC
L22H*P4:.... Combination mount, polycarbonate base, 24 VDC
L22L*P:..... Combination mount, polycarbonate base, 12 VDC
L22L*M:..... Magnetic mount, polycarbonate base, 12 VDC
L22L*V:..... Magnetic/suction mount, polycarbonate base, 12 VDC
L22L*P4:.... Combination mount, polycarbonate base, 24 VDC

L22 Options

- MMK:**..... Magnetic kit with 8' cord and plug
BGL:..... Branch guard, low dome, 6-1/2" tall with beacon
BGH:..... Branch guard, high dome, 7-1/2" tall with beacon
LSK:..... Lighted switch kit mounted on bracket wired and fused
MIRROR20: Mirror mount bracket

Replace (*) in model numbers with letter or number indicating dome color choice:

A = Amber LED and amber dome **B** = Blue LED and blue dome **C** = White LED and clear dome
R = Red LED and red dome **1** = Amber LED and clear dome **2** = Blue LED and clear dome
5 = Red LED and clear dome

REPLACEMENT PARTS

DH2000*:.....High Dome

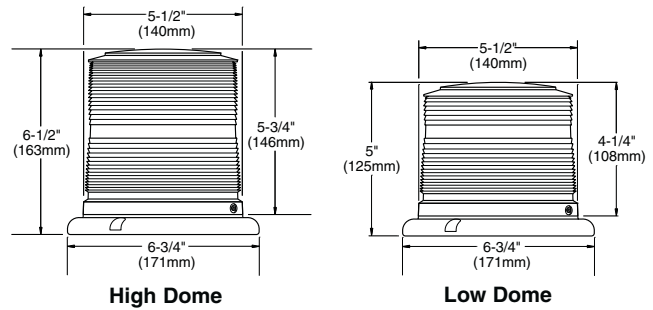
DL2000*:.....Low Dome

Replace (*) in model number with letter indicating color choice: **A** = Amber, **B** = Blue, **C** = White/Clear, **R** = Red.

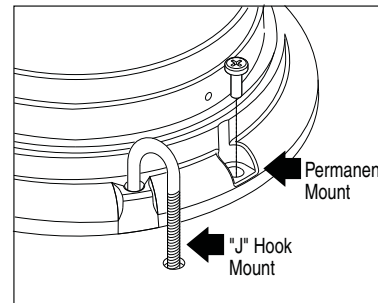
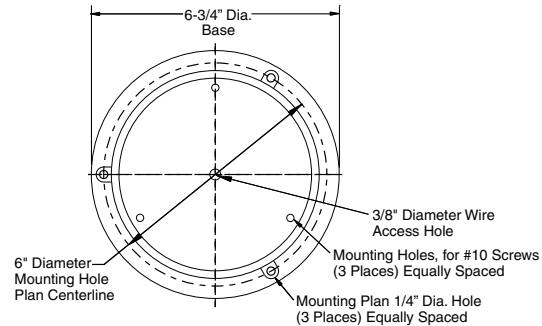
Magnetic and magnetic/suction mount models do not include Scan-Lock™, cruise light, low power or sync functions.

NOTE: The use of any magnetic or magnetic/suction mounted warning beacon on the vehicle while in motion, is at the discretion and risk of the user.

Dimensions



Mounting



Available Scan-Lock™ Flash Patterns

Scan-Lock™ allows you to choose between available flash patterns.

L22 (15 patterns)

- SignalAlert™ 75
- SignalAlert™ 150
- SingleFlash 375
- SingleFlash 150
- SingleFlash 75
- DoubleFlash 150
- DoubleFlash 75
- CometFlash® 75
- ActionFlash™
- ModuFlash™ 70
- ComAlert™
- ActionScan™
- SignalAlert™ Steady
- SteadyBrake
- Steady