

Rota-Beam™ RB6 Series

ROTATING HALOGEN BEACONS



Rota-Beam RB6 is a versatile, mid-sized beacon, perfect for utility, maintenance, fire and rescue applications. Its straightforward relampable design is easy to install and easy to service.

In 1956 Whelen introduced the popular Rota-Beam Series. Back by popular demand, we've now added a dual reflector model. For fire truck applications, it is the first rotating beacon to meet NFPA requirements in red/red for the "Upper Zone C". It's part of Whelen's tradition; providing superior performance and reliability with lighting products that meet and exceed typical warning light requirements.



RB6TRP



RB6PAP



FEATURES

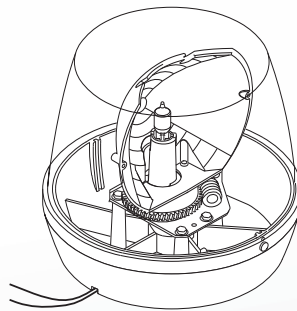
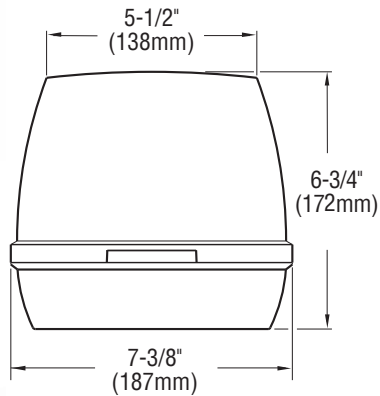
- Dual reflector model, 65 RPM produces 130 FPM for a longer "on time" light.
- Single parabolic reflector beacon, 150 RPM produces 150 FPM.
- Unique motor assembly with precision double roller ball bearings provides superior performance with less friction, minimal noise and ultimate reliability.
- Parabolic reflectors, designed by computer sterolithography, have dramatically increased light intensities with greater optic spread.
- Polycarbonate domes are sealed to base with weather-resistant "O" ring gasket.
- Non-corroding bases are offered in both 1" NPT pipe mount and concealed permanent flat mount, in the same unit. No additional flanges or mounting collars are required.
- Optional magnetic mount kit with cord and cigar plug.
- Three year warranty on motor assembly.
- Meet and exceeds S.A.E. and California Title XIII and NFPA 1901 requirements for emergency vehicles.
- Not available in green or clear. Consider an LED beacon for these warning needs.



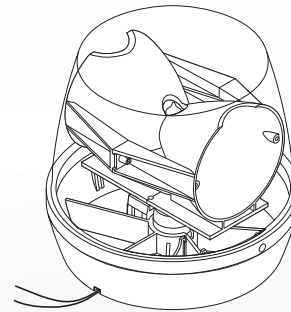
Not offered in green or clear. Consider LED beacons for these lighting needs.

WHELEN®

Rota-Beam™ RB6 Series



RB6P



RB6T

MODELS

RB6P*PPermanent mount single reflector.

RB6P*MMagnetic mount single reflector.

RB6T*PPermanent mount dual reflector.

* Replace asterisks in model number with lens color desired:
A = Amber; **B** = Blue; **R** = Red.

OPTIONS

WMM6KMagnetic mount kit for RB6 Series.
 Includes magnet and cigar plug with 6' straight cord.



WMM6K

Note: The use of a magnetic mounted beacon on the roof of a vehicle in motion is not recommended, and is at the sole discretion and risk of the user.

MODEL	VOLTAGE	PEAK CURRENT	FLASH RATE	BEAM CANDLE POWER	LAMP TYPE	AMBIENT TEMPERATURE	WEIGHT
RB6P/M	12 VDC	3.9 AMPS	150 FPM	70,000	50 WATT SNAP IN BASE HALOGEN	LOW: -30°F (-34°C) HIGH: 120°F (49°C)	1 LB, 5 OZ (55 KG)
RB6T*P	12 VDC	5 AMPS	130 FPM	50,000	60 WATT SNAP IN BASE HALOGEN	LOW: -30°F (-34°C) HIGH: 120°F (49°C)	1 LB, 7 OZ (64 KG)



WHELEN®
 ENGINEERING COMPANY, INC.

51 Winthrop Road
 Chester, Connecticut 06412-0684
 (860) 526-9504 • Fax: (860) 526-4078
 www.whelen.com

Whelen Engineering reserves the right to upgrade and improve products without notice.
 © 2011 Whelen Engineering Company, Inc. Printed in U.S.A.
 NASCAR® is a registered trademark of the National Association for Stock Car Auto Racing, Inc.
 Code No. 10148F - 04/11

American Employees, American Manufacturing, American Pride!