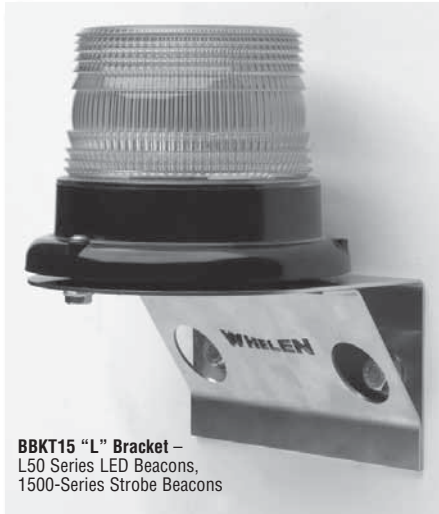


NEW PRODUCT!

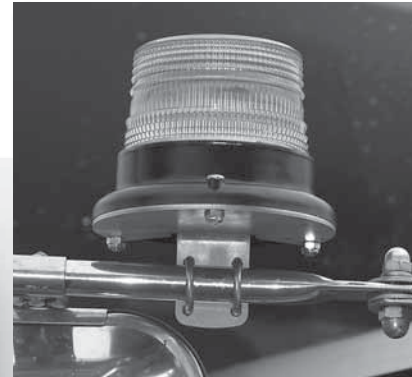
New Stainless Steel Beacon Mounting Accessories Available:



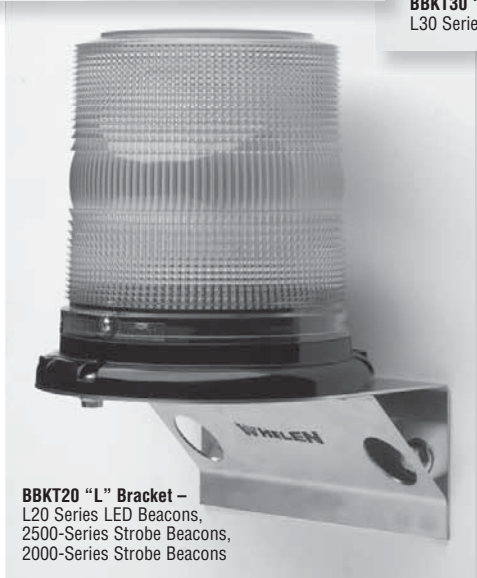
BBKT15 "L" Bracket –
L50 Series LED Beacons,
1500-Series Strobe Beacons



BBKT30 "L" Bracket –
L30 Series LED Beacons



MIRROR15 - West Coast mirror mount bracket –
L50 Series LED Beacons,
1500-Series Strobe Beacons

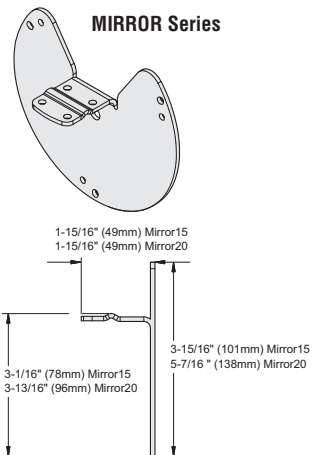
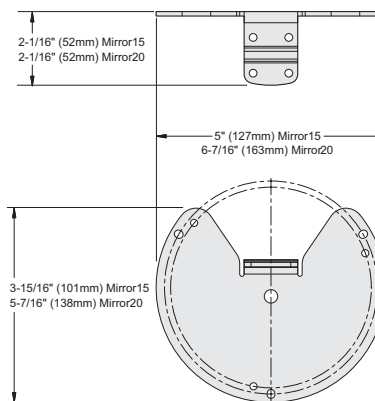
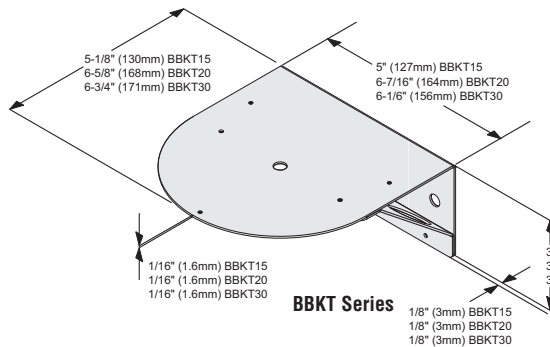


BBKT20 "L" Bracket –
L20 Series LED Beacons,
2500-Series Strobe Beacons,
2000-Series Strobe Beacons



MIRROR20
West Coast mirror mount bracket –
L20 and L30 Series LED Beacons,
2500-Series Strobe Beacons,
2000-Series Strobe Beacons

DIMENSIONS



WHELEN[®]
ENGINEERING COMPANY, INC.
"Engineers for the Emergency Warning Industry"

51 Winthrop Road, Chester, CT 06412-0684
860-526-9504 • Fax 860-526-4078
www.whelen.com



Whelen Products
are proudly made
in the U.S.A.