

SlimLighter™ Series

THE LATEST IN ULTRA BRIGHT LED
DASH, DECK AND WINDSHIELD LIGHTING.



The newest generation of LED dash lighting in a slim shape that fits perfectly in many locations on your vehicle. Two models to choose from, conventional 5mm LEDs or Super-LED® with ultra intensive light output.

SLIMLIGHTER

Ultra slim profile and loaded with features, SlimLighter is fully LED populated and attaches to the windshield with suction cup mounting swivel brackets or permanently to headliner or deck. On/Off and pattern select switches are located on the back of the assembly. The self-contained SlimLighter Series provides twenty-one Scan-Lock™ selectable flash patterns and includes an 8' cord with cigar plug. Color combinations red, amber, and/or blue.

SLIMLIGHTER Super-LED

Super-LEDs produce super bright light output that provides direct and wide-angle warning that rivals strobe in intensity. SlimLighter's slim shape fits perfectly in many locations on your vehicle. This model also provides twenty-one Scan-Lock selectable flash patterns. SlimLighter includes built-in On/Off switch, 21 selection pattern switch and 8' cord with cigar plug. SlimLighter Super-LED offers color combinations in; amber, red, blue and/or white. Super-LED features built-in On/Off switch, 21 selection pattern switch and 8' cord with cigar plug and LED "On" indicator.

FEATURES

- Long life. LED's are rated for 100,000 hours of operation of heavy-duty use because they have no glass or filaments to break.
- Low current consumption.
- Highly effective wide angle and straight on light output.
- Perfect size for windshield, dash, deck or headliner.
- Clear outer lens, optional color lenses.
- 21 selectable Scan-Lock flash patterns.
- Swivel bracket for permanent or suction cup mounting, standard.
- Lightweight polycarbonate housing with rounded corners is safer for use inside of the vehicle in the event of an accident or airbag activation.
- Optional bail bracket.
- 5 year HDP® Heavy-Duty Professional warranty.
- Dimensions: 1-5/8" (42mm) H x 16-3/8" (416mm) W x 1-13/16" (45.5mm) D.



Whelen products
are proudly made
in the U.S.A.

 Super-LEDs available in
4 safety colors

 LEDs available in 3 safety colors

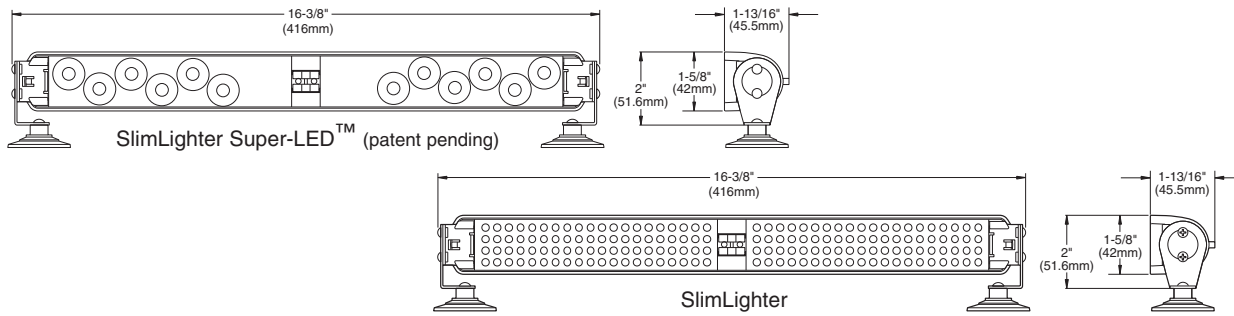
Form# SLP0909

WHELEN®

Engineers for the Emergency Warning Industry

SLIMLIGHTER SERIES MID-LEVEL WARNING

SLIMLIGHTER SPECIFICATIONS



ELECTRICAL DATA

Operating Voltage (vdc)	10-16
Operating Current (amps)	.5
Operating Temp (C°)	-30° to +65°
Available Flash Patterns	21

MODELS

SLPLL ** Dual 5mm LED lamps
 SLPMM ** Dual Super-LED™ lamps.

*Replace asterisk in model number with LED or lens color desired:
 A=Amber; B=Blue; R=Red; C=White. (White not available in SLPLL models.)

OPTION (Customer installed)

SLPBKT1..... Bail Bracket

FLASH PATTERNS

21 Available Flash Patterns for SlimLighter:

RapidFire™ @ 680 SFPM; RapidFire @ 240 SFPM; RapidFire @ 120 SFPM;
 Simultaneous RapidFire @ 150 SFPM; DoubleFlash @ 240 DFPM; DoubleFlash @ 120 DFPM; Simultaneous DoubleFlash @ 150 DFPM; CometFlash® @ 120 CFPM; Simultaneous CometFlash @ 120 CFPM; ActionFlash™;
 Simultaneous ActionFlash; ModuFlash™ @ 120 to 360 SFPM; Simultaneous ModuFlash @ 120 to 360 SFPM; SignalAlert™ 120 FPM; Simultaneous SignalAlert @ 120 FPM; ScanMode™; CalFlash™ @ 340 SFPM; California RapidFire @ 340 SFPM; California DoubleFlash @ 150 DFPM; California CometFlash @ 120 CFPM; California ActionFlash.

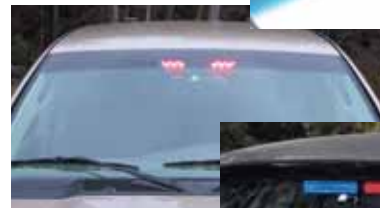


Shown with
Optional
Bail Bracket

SlimLighter
mounted to the
headliner over
the rear view
mirror.



Super-LED™
mounted in
vehicle.



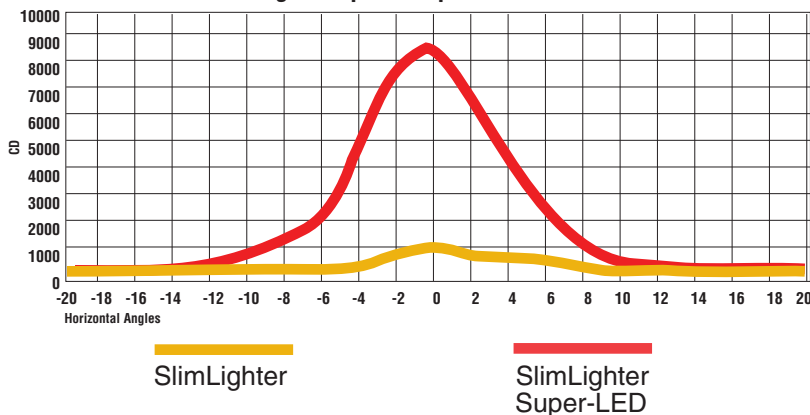
SlimLighter
mounted in
vehicle.



Dual
SlimLighters
mounted to
headliner in
rear hatch of
vehicle.



SlimLighter™ and SlimLighter Super-LED™
Light output comparison chart



WHELEN
ENGINEERING COMPANY, INC.

51 Winthrop Road
 Chester, Connecticut 06412-0684
 (860) 526-9504 • Fax: (860) 526-4078
 www.whelen.com



Whelen Engineering
 reserves the right
 to upgrade and
 improve products
 without notice.