

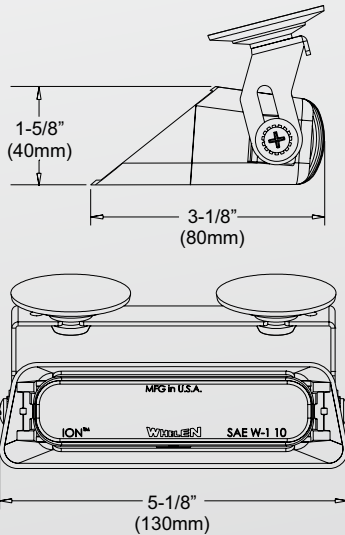
SpitFire™ ION™

SUPER-LED® DASH LIGHT

**DASH
DECK
VISORS**



SpitFire ION is a super-tough, low profile dash light that's packed with power and performance features. Built for the long haul, SpitFire ION is the trusted sidekick you'll take with you from vehicle to vehicle.



FEATURES

- Compact, full feature Super-LED dash light.
- Single and split colors, standard.
- 25 Scan-Lock™ flash patterns for single color lights. 69 flash patterns for split color lights.
- Fully encapsulated electronics provide full moisture and vibration resistance.
- Molded polycarbonate integral hood with bail bracket and two suction cups for mounting.
- Eight foot straight cord Cigar Plug with On/Off selection and pattern control switch.
- 12 VDC.
- Five-Year HDP® Heavy-Duty Professional warranty.
- Size: 1-5/8" (40mm) H x 3-1/8" (80mm) D x 5-1/8" (130mm) L.

MODELS

- SFION***.....Red, blue, amber or white.
- SFIOND**.....Split red/white.
- SFIONJ**.....Split red/blue.
- SFIONE**.....Split blue/white.

* Replace asterisks in model number with LED color desired:
A = Amber; **B** = Blue; **C** = White; **R** = Red.



Whelen Engineering reserves the right to upgrade and improve products without notice.
 © 2011 Whelen Engineering Company, Inc. Printed in U.S.A.
 NASCAR® is a registered trademark of the National Association for Stock Car Auto Racing, Inc.
 Code No. 12456B - 09/11

WHELEN®
 ENGINEERING COMPANY, INC.

51 Winthrop Road
 Chester, Connecticut 06412-0684
 (860) 526-9504 • Fax: (860) 526-4078
 www.whelen.com

