

**NEW** PRODUCT!

# SpitFire™ Plus Series

SUPER-LED® DASH AND DECK WARNING



Officially Licensed  
Warning Lights Of  
NASCAR®



**A compact, full-featured, Super-LED dash and deck light with 50% more light output in a smaller package than the original SpitFire. SpitFire Plus is the high performance, cost-effective alternative to the larger Whelen Avenger™ Series.**

### FEATURES

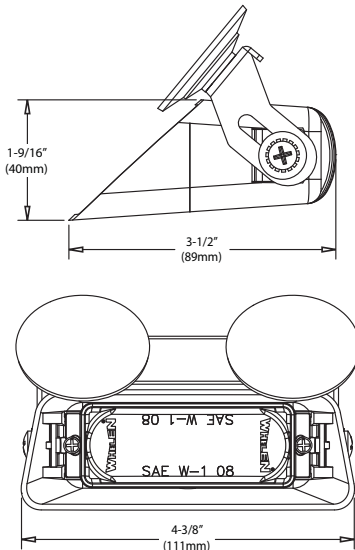
- Clear non-fluted lens and black molded polycarbonate integral hood and housing with bale bracket and two suction cups for mounting.
- Wide angle visibility and high intensity performance while having an average 300mA current draw (700mA peak).
- SmartLED® design requires no external flasher.
- Multiple Scan-Lock™ flash patterns, including four California Title XIII patterns. Allows for alternating (3x3 diodes) and simultaneous patterns (for split models), plus steady-burn.
- Split colors available.
- Fully encapsulated electronics provide full moisture and vibration protection.
- Eight-foot straight cord and cigar plug with On/Off Switch and pattern control switch.
- 12 VDC.
- 5 year warranty on Super-LEDs.

### MODELS

- SFP1\* Single color
- SFP1# Split color

\*Replace asterisk in model number with desired color:  
A=Amber, B=Blue, C=White, G= Green, R=Red

# Replace symbol with split color desired:  
D=Red/White, E=Blue/White, F=Amber/White  
J=Red/Blue, K=Red/Amber, M=Amber/Blue



Whelen Products  
are proudly made  
in the U.S.A.

**WHELEN**  
ENGINEERING COMPANY, INC.

51 Winthrop Road  
Chester, CT 06412-0684  
(860) 526-9504 • Fax (860) 526-4078  
www.whelen.com



Available in Red, Amber,  
Green, White & Blue

Form# SFP0909

© 2009 Whelen Engineering Co., Inc. Printed in U.S.A.  
Whelen Engineering Inc. reserves the right to upgrade and improve products without notice.  
NASCAR® is a registered trademark of the National Association for Stock Car Auto Racing, Inc.  
Code No. 12306A-0909

Engineers for the Emergency Warning Industry

SpitFire™ Plus Super-LED® Dash & Deck Warning