

WHELEN[®]

JUSTICE[®]

Super-LED[®] SERIES
LIGHTBARS



*Whelen products
are proudly
manufactured
in the U.S.A.*



Form# JUST1009

Officially Licensed
Warning Lights of
NASCAR[®]

Officially Licensed

WHELEN® JUSTICE SERIES

High performance, cost competitive Super-LED® lightbar with a range of options, designed for ease of operation, upgrade and serviceability. Available in Competitor™ and programmable WeCan® Series, plus NFPA certification.



ALL JUSTICE® SERIES FEATURE:

- Clear outer lens standard with a moisture resistant compression fit gasket. Optional color lenses available.
- Four corner Linear Super-LED® modules provide full 360 degree coverage, for SAE J845 Class 1 certification.
- Corners are available with 6 or 9 diode Super-LED modules.
- Optional LIN6™ or CON3™ lighthouse modules. CON3 has removable optic spreading filters for outer sections.
- Center section available with optional single LIN6, CON3 or two LTR3™s (for split color center section).
- Black polycarbonate base on an extruded aluminum platform for added strength.
- Adjustable mount foot allows the lightbar to be mounted parallel to the street surface, no matter the shape of the vehicle roof.
- Standard passenger side cable, driver side optional.
- Service oriented lightbar allows easy access:
 - Upgrade or service lightbar right in the field
 - Remove four screws to access any section of the lightbar
 - Change Colors
 - Lighthouse replacement is as simple as removing one screw and single connector
- Five year HDP® Heavy-Duty Professional warranty on LEDs.
- All Justice models are 12" wide and only 2-1/4" high (without mounting feet) in three standard lengths of: 44", 50-1/8" and 56-1/4", plus a 62" Wrecker Bar.
- Optional GTT Opticom™ emitter, LED brake/tail/turn and Traffic Advisors™ with control head available.



Liberty lightbars turned off have a stealth look



NEW! 44" Justice lightbar mounting foot shown on a 2008 Ford Crown Vic (see dimension drawing)



JC & JE Competitor Series with four corner Linear-LED® modules offering front, rear and all bar operational control of lightbar.

Justice JC Extended corner module with 9 diodes per module.

Justice JE Standard corner module with 6 diodes per module.

- Standard current switching with Scan-Lock flash patterns and pattern override feature.
- Choose from LIN6, LTR3 or CON3 lighthouse modules with removable optic spreading filters, for your inboard lighthoods.
- Optional Scan-Lock flash patterns.
- Optional LR11 Super-LED alley or take-down lights with 15° horizontal adjustment.
- Optional flasher to allow take-down lights to steady-burn or flash.
- Competitor Series also offers a 62" wrecker bar with standard rear work and brake/tail/turn lights.

SCANLOCK™

WE CAN JV/JY Series Programmable Lightbars

An external interface unit, the WeCan Electronic Control Module (ECM), communicates all lightbar operating functions via a 2 conductor, 20 gauge cable. This small cable provides easier overall wiring and lightbar installation. Up to eighteen different programmed warning configurations can be operated using customer supplied switching to each of eighteen input wires to the ECM (default program pre-installed).

Justice JV Extended corner module with 9 diodes per module.

Justice JY Standard corner module with 6 diodes per module.

All functions are programmed easily by your computer via simple "pick & click, or drag" screens. Windows® based 2000, XP or later operating system required. USB input to the ECM from PC or laptop makes programming easy. Once the ECM is programmed, selection of these wires will allow:

- Complete independent flash pattern and "On" or "Off" phase control of each individual lighthouse.
- Low current switching with multiple flash patterns.
- Four phases for alternating, simultaneous and combination flash patterns.
- Cruise light control with multiple adjustable intensity levels.
- Independent Hi/Low control is available to any Super-LED warning lighthouse, except corner modules.
- WeCan offers built-in Traffic Advisor with independent (sequential) control of the traffic arrow functions (left, right, split) without a Traffic Advisor control head.
- **New** Optional WCC9 WeCan 6 button and slide switch control head with 10 dip switch selectable switching.
- Optional 15° horizontal adjustable LR11 Super-LED flashing take-downs and alley lights.
- Choose from LIN6, LTR3 or CON3 lighthouse modules with removable optic spreading filters, for your inboard lighthoods.

Optional WCC9 WeCan Controller



Electronic Control Module



Laptop or PC is used to configure control of the lightbar



WeCan program installs into your computer via CD



"No one can control your lightbar like"

WE CAN

LIGHTBARS



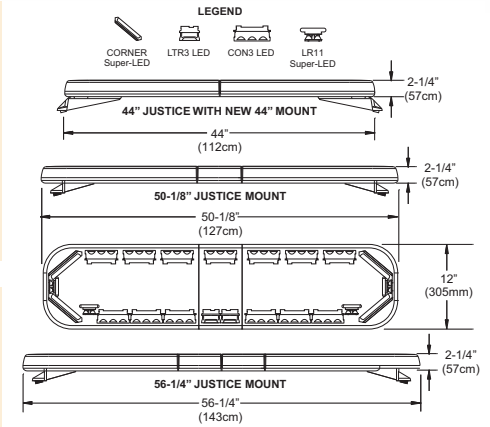
Proud to be an American! 
The Justice lightbar is designed, manufactured and assembled in America.

NFPA Justice® Super-LED® Series, ZONE "A" UPPER

Same features as Justice Series but NFPA 1901 compliant. Contact us for our "NFPA 1901 Specification Lighting Packages" booklet. This booklet details complete packages and zone packages meeting NFPA 1901 requirements. Each lighting package includes a "Certificate of Compliance with NFPA 1901". Contact the factory for more information.

JE2NFPA 56" Four red corner Linear-LEDs, six front CON3s (4 red & 2 white)

JE0NFPA 62" Four red corner Linear-LEDs, six front CON3s (4 red & 2 white)



Mini Justice Series, This is a compact, 22" version of the popular Justice lightbar has 4 corner Linear6™ Super-LEDs. Ideal for applications where full-size lightbars just won't work!

- Four corner modules standard. Options include: four CON3™ Super-LED modules with optical spreaders, LTR3™ Super-LED modules and LR11 take-down/alley lights.
- Magnetic and magnetic/suction mount has ten-foot cord, cigar plug with On/Off switch and LED "On" indicator plus Scan-Lock™ flash pattern switch.
- Ninety-five Scan-Lock flash patterns.
- Low profile design, only 2-1/4" high by 12" wide and 22" long.
- Permanent mount models include 15' cable.
- Weight: 20 lbs.

MINI JUSTICE JY Series

MJY**P 22" Permanent mount**

MJY**M 22" Magnetic mount**

MJY**V 22" Magnetic/suction mount**

The use of any magnetic or magnetic/suction mounted warning beacon on the outside of a moving vehicle is not recommended and is at the sole risk of the user.



JUSTICE SERIES SPECIFICATIONS

WeCan® Models	Competitor™ Models	NFPA	Mini Justice	Voltage	Amp Draw (base model)	Number & Type of Corner Modules	Super-LEDs per Corner Module	Maximum Number of Additional Modules	Mounts	H x D x L Dimensions in inches and (mm) Note: 4" (101) H with feet
JV4 / JY4	-	-	-	12.8	3.2 @13.6	4 Linear-LED®	9 on JV Series	18 (24 with split TA)	Requires Optional Mounting Kits	2-1/4 (57) x 12 (305) x 44 (112cm)
JV8 / JY8	-	-	-				6 on JY Series	22 (28 with split TA)		2-1/4 (57) x 12 (305) x 50-1/8 (127cm)
JV2 / JY2	-	-	-				9 on JC Series	18 (24 with split TA)		2-1/4 (57) x 12 (305) x 56-1/4 (143cm)
-	JC4 / JE4	-	-				6 on JE Series	22 (28 with split TA)		2-1/4 (57) x 12 (305) x 44 (112cm)
-	JC8 / JE8	-	-				9 on corners / 3 on inboards (6 each standard)	10		2-1/4 (57) x 12 (305) x 50-1/8 (127cm)
-	JC2 / JE2	-	-				6	12		2-1/4 (57) x 12 (305) x 56-1/4 (143cm)
-	-	JE2NFPA	-				2-1/4 (57) x 12 (305) x 56-1/4 (143cm)			
-	-	JE0NFPA	-				2-1/4 (57) x 12 (305) x 62 (156cm)			
-	-	-	MJY****P				2-1/4 (57) x 12 (305) x 22 (56cm)			
-	-	-	MJY****M							
-	-	-	MJY****V							

* Replace symbol (*) in color code on all models with lens or LED color desired: A=Amber; B=Blue; C=Clear; G=Green; R=Red

JUSTICE® LIGHTBAR OPTIONS

All the options you need to customize your lightbar. With Justice's modular design, you can add options now, and more at a later date.

JUSTICE® Super-LED® LIGHTBARS OPTIONS	Justice Option Model	WeCan® JV & JY Series						Competitor™ JE & JC Series						NFA		Mini Justice MJY Series		
		JV4	JV8	JV2	JY4	JY8	JY2	JE4	JE8	JE2	JC4	JC8	JC2	JE2NFA	JE0NFA	MJY***P	MJY***M	MJY***V
One CON3™	JDC*	✓	✓	✓	✓	✓	✓	✓	✓	✓	✓	✓	✓	✓	✓	✓	✓	✓
One LTR3™ for use in center section, with take-down lights only	JDH*	✓	✓	✓	✓	✓	✓	✓	✓	✓	✓	✓	✓	✓	✓	✓	✓	✓
One LIN6™	JDL*	✓	✓	✓	✓	✓	✓	✓	✓	✓	✓	✓	✓	✓	✓	✓	✓	✓
NEW Four LR11 Super-LEDs, two steady-burn take-downs and two steady-burn alley lights for permanent models only†	MJTDALL1	-	-	-	-	-	-	-	-	-	-	-	-	-	-	✓	-	-
Two LR11 Super-LED flashing take-down lights†	JTLS1	✓	✓	✓	✓	✓	✓	-	-	-	-	-	-	-	-	-	-	-
Two LR11 Super-LED flashing alley lights†	JALF1	✓	✓	✓	✓	✓	✓	-	-	-	-	-	-	-	-	-	-	-
Two red, blue and/or amber flashing LR11 Super-LED in alley light positions†	JDLF**	✓	✓	✓	✓	✓	✓	-	-	-	-	-	-	-	-	-	-	-
One LR11 Super-LED flashing take-down lights, for single center section†	JCTLS1	✓	✓	✓	✓	✓	✓	-	-	-	-	-	-	-	-	-	-	-
Two LR11 Super-LED flashing take-down lights, for two center sections†	JCTLS12	✓	✓	✓	✓	✓	✓	-	-	-	-	-	-	-	-	-	-	-
Two super high intensity LED take-down lights	JTDLED2	✓	✓	✓	✓	✓	✓	-	-	-	-	-	-	-	-	-	-	-
Two super high intensity LED work lights	JWLLLED2	✓	✓	✓	✓	✓	✓	-	-	-	-	-	-	-	-	-	-	-
Two Super-LED external alley lights, for standard end section	JXALF1L	✓	✓	✓	✓	✓	✓	-	-	-	-	-	-	-	-	-	-	-
Two colored Super-LED modules in external alley light positions, for standard end section	JXALF**L	✓	✓	✓	✓	✓	✓	-	-	-	-	-	-	-	-	-	-	-
Two LED brake/turn/taillights	JBTLED	✓	✓	✓	✓	✓	✓	-	-	-	-	-	-	-	-	-	-	-
Two wire control Traffic Advisor, standard feature if appropriate number of lighthead are purchased	JTA2W	✓	✓	✓	✓	✓	✓	-	-	-	-	-	-	-	-	-	-	-
NEW Two LR11 Super-LED steady-burn alley lights†	JHALF1	-	-	-	-	-	-	✓	✓	✓	✓	✓	✓	✓	✓	-	-	-
NEW Two LR11 Super-LED steady-burn take-down lights†	JHTLS2	-	-	-	-	-	-	✓	✓	✓	✓	✓	✓	✓	✓	-	-	-
NEW Two LR11 Super-LED center mount steady-burn take-down lights†	JHCTLS1	-	-	-	-	-	-	✓	✓	✓	✓	✓	✓	✓	✓	-	-	-
NEW Four LR11 Super-LED, two steady-burn take-downs and two steady-burn alley lights†	JHTDALL1	-	-	-	-	-	-	✓	✓	✓	✓	✓	✓	✓	✓	-	-	-
NEW Four LR11 Super-LED, two center mounted steady-burn take-downs and two steady-burn alley lights†	JHCTAL1	-	-	-	-	-	-	✓	✓	✓	✓	✓	✓	✓	✓	-	-	-
Flasher for flashing take-down or flashing work lights, please specify	JHFLASH	-	-	-	-	-	-	✓	✓	✓	✓	✓	✓	✓	✓	-	-	-
Two LED brake/turn/taillights	JHBTLED	-	-	-	-	-	-	✓	✓	✓	✓	✓	✓	✓	✓	-	-	-
Traffic Advisor™, with internal/external harness, for use with TACTALD1. With lightbar purchase and used with CON3 center module only (lighthead purchased separately)	JTACNTL	✓	✓	✓	✓	✓	✓	✓	✓	✓	✓	✓	✓	✓	✓	-	-	-
Traffic Advisor with internal/external harness, for use with CCSRNTA2. With lightbar purchase and used with CON3 center module only (lighthead purchased separately)	JTACBL	✓	✓	✓	✓	✓	✓	✓	✓	✓	✓	✓	✓	✓	✓	-	-	-
GTT self-contained LED IR Opticom™ Emitter	795H	✓	✓	✓	✓	✓	✓	✓	✓	✓	✓	✓	✓	✓	✓	-	-	-
NEW Installation (pre-wired) of 795H into the center section. No charge when purchased with 795H	J795HC	✓	✓	✓	✓	✓	✓	✓	✓	✓	✓	✓	✓	✓	✓	-	-	-
NEW Installation (pre-wired) of 795H into an outer section. No charge when purchased with 795H	J795HO	✓	✓	✓	✓	✓	✓	✓	✓	✓	✓	✓	✓	✓	✓	-	-	-
Driver side cable exit, in place of passenger side	JDSCBL	✓	✓	✓	✓	✓	✓	✓	✓	✓	✓	✓	✓	✓	✓	-	-	-
18 lightbars bulk package (instead of standard individually boxed lightbars)	JBULK18	✓	✓	✓	✓	✓	✓	✓	✓	✓	✓	✓	✓	✓	✓	-	-	-
NEW Substitute WCC9 WeCan Controller for WeCan Electronic Control Point module, when purchased with Liberty SW WeCan Lightbars only	WCC9SUB	✓	✓	✓	✓	✓	✓	-	-	-	-	-	-	-	-	-	-	-

LEGEND: ✓ = Available

* Replace symbol (*) in color code on all models with lens color desired: A=amber; B=blue; C=clear; G=green; R=red

† LR11 with 15° horizontal adjustment



JY8RBB with optional CON3 Traffic Advisor



795H OPTICOM™ module



JCTLS12
Two LR11 flashing take-down lights for two center sections



JCTLS1
One LR11 flashing take-down lights for center section



CON3 Module



Two LTR3 Modules



JTDLED2 two flashing take-downs or JWLLLED2 two worklights

WHELEN
ENGINEERING COMPANY, INC.



Whelen products are proudly manufactured in the U.S.A.

51 Winthrop Road, Chester, CT 06412-0684
860-526-9504 • Fax 860-526-4078
www.whelen.com



Optional WCC9 WeCan Controller, JV/JY only



JDLF**
Two LR11 flashing color modules in alley light position

JXALF1L
Two external flashing alley lights



JXALF**L
Two flashing color modules in external alley light position

JALF1
Two LR11 flashing alley lights

Whelen Engineering Company, Inc. and may be used only as set forth in the Guidelines for Use of Whelen Trademarks available at www.whelen.com. Unauthorized use of Whelen Trademarks for commercial purposes may constitute trademark infringement and unfair competition in violation of federal and state laws.

Whelen Engineering reserves the right to upgrade and improve products without prior notice.

NASCAR® is a registered trademark of the National Association for Stock Car Auto Racing, Inc.

© 2009 Whelen Engineering Company, Inc. Printed in U.S.A. Code 11466F 101909