

NEW PRODUCT!

RESPONDER® LP Series

SUPER-LED® MINI LIGHTBARS



Officially Licensed
Warning Lights Of
NASCAR®

Nearly twice
the light output with
superior off-axis
visibility

R2LPHPR with
Linear-LED® modules
and aluminum base



R1LPPA with
Conical modules and
polycarbonate base



NEW!

Dual switch cigar plug
with On/Off & pattern
control switches

Now, a low profile mini-lightbar that provides all the high performance LED warning and signaling benefits, in a smaller size that fits all your special applications.

Super-LED modules in a rugged aluminum or polycarbonate base are built to take the roughest conditions and long hours you face.

They're road tested, vibration and moisture resistant and use a much lower current than other warning lights. Put a Responder LP to work on your utility, security, fleet, construction or public works vehicle.

Only
2-7/8"
High



Polycarbonate base, CON3 modules shown

Only
3-1/4"
High



Extruded aluminum base, Linear-LED modules



Available in Red, Amber,
White and Blue

Form# RELP0808

FEATURES

- Class 1, SAE J845 Certified.
- 100,000 hour rated life.
- Six Super-LED modules.
- Choose from R1LP Series with Conical modules or R2LP Series with Linear-LED® modules.
- Built-in electronic flasher with 46 Scan-Lock™ flash patterns including 4 simulated rotating patterns.
- ActionScan™ is the default flash pattern on all mount versions.
- New dual switch cigar plug allows pattern selection in magnetic and magnetic-suction mount models.
- Permanent mount includes 6" pigtail; magnetic and magnetic/suction mounts include 10' straight cord with dual switch cigar plug
- Polycarbonate dome with smooth exterior will not gather dirt and dust.
- 12 VDC.
- R1LP models: 3.0 amp draw (peak), 1.2 amp draw (avg).
- R2LP models: 6.0 amp draw (peak), 2.4 amp draw (avg).

CON3™ MODELS

Polycarbonate Base

- R1LPP* Permanent mount
- R1LPM* Magnetic mount
- R1LPV* Magnetic/Suction mount

Aluminum Base

- R1LPH* Permanent mount
- R1LPHM* Magnetic mount
- R1LPHV* Magnetic/Suction mount

Linear-LED® MODELS

Polycarbonate Base

- R2LPP* Permanent mount
- R2LPM* Magnetic mount
- R2LPV* Magnetic/Suction mount

Aluminum Base

- R2LPH* Permanent mount
- R2LPHM* Magnetic mount
- R2LPHV* Magnetic/Suction mount

Replace * * asterisk in model number with desired color:
A = Amber; B = Blue; C = Clear/White; R = Red

OPTIONS

- R1\$\$\$00 Six CON3 Super-LED modules, insert color, no charge when ordered with R1 split color models
- R2\$\$\$00 Six LIN6™ Super-LED modules, insert color, no charge when ordered with R2 split color models

Replace * * with an "S" and use Lighting Package R1\$\$\$00 for R1 models and R2\$\$\$00 for R2 models. Replace Symbol "\$" with the number of color LED lightheads required (maximum of six). Order of color is Red, Blue and Amber.

Notes:

Magnetic and magnetic/suction mount models do not offer cruise light, low power or SYNC functions.

The use of any magnetic or magnetic/suction mounted warning beacon on the vehicle while in motion, is at the discretion and risk of the user.

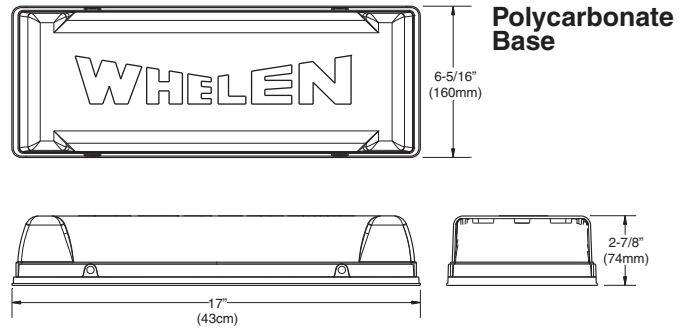
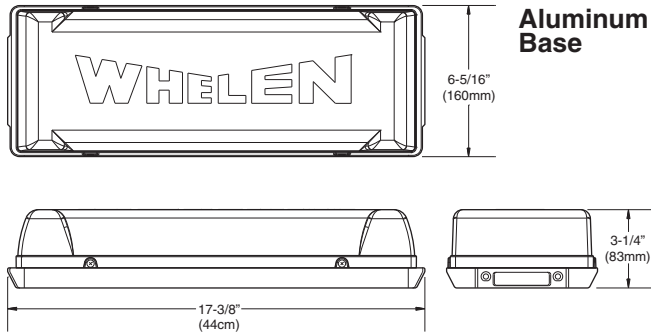


Whelen Products
are proudly made
in the U.S.A. *

WHELEN®
Engineers for the Emergency Warning Industry

RESPONDER® LP SERIES SUPER-LED® MINI LIGHTBARS

Responder® LP Series Specifications



Scan-Lock™ Flash Patterns

- ActionScan™
 - SignalAlert™ Alternating-Simultaneous
 - CometFlash® Alternating-Simultaneous
 - DoubleFlash 75 Alternating-Simultaneous
 - SingleFlash 75 Alternating-Simultaneous ▼
 - LongBurst™ Alternating-Simultaneous
 - SingleFlash 60 Alternating ▼
 - SingleFlash 60 Simultaneous ▼
 - SingleFlash 60 Alternating-Simultaneous ▼
 - SingleFlash 90 Alternating ▼
 - SingleFlash 90 Simultaneous ▼
 - SingleFlash 90 Alternating-Simultaneous ▼
 - SingleFlash 120 Alternating ▼
 - SingleFlash 120 Simultaneous ▼
 - SingleFlash 120 Alternating-Simultaneous ▼
 - SingleFlash 300 Alternating
 - SingleFlash 300 Simultaneous
 - SingleFlash 300 Alternating-Simultaneous
 - MicroBurst™ Alternating
 - MicroBurst™ Simultaneous
 - MicroBurst™ Alternating-Simultaneous
 - ActionFlash™ Alternating
 - ActionFlash™ Alternating
 - ActionFlash™ Simultaneous
 - ActionFlash™ Alt.-Sim.
 - PingPong™ Alternating
 - FlimFlam Alternating
 - ModuFlash™ Alternating
 - ModuFlash™
 - Steady .5%
 - Steady .75%
 - Steady 1%
 - Steady 2%
 - Steady 7%
 - Steady 40%
 - In-Out
 - Sweep
 - Longburst™ In-Out
 - In-Out Blast
 - Sequence On-Off
 - In-Out Blast
 - Zig-Zag
 - Rotator 90
 - Rotator 120
 - Rotator 150
 - Rotator 250
- ▼ = California Title XIII Complaint (R2LP Models Only)

Synchronization Patterns

- SignalAlert™ Alternating
- SignalAlert™ Simultaneous
- CometFlash® Alternating
- CometFlash® Simultaneous
- DoubleFlash 75 Alternating
- DoubleFlash 75 Simultaneous
- SingleFlash 75 Alternating
- SingleFlash 75 Simultaneous
- LongBurst™ Alternating
- LongBurst™ Simultaneous
- California Title XIII Alternating Simultaneous

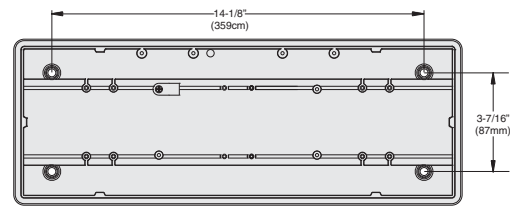
RESPONDER LP Super-LED Mini Lightbars can be synchronized to flash in unison with two mini lightbars.

Conical Super-LED® Modules

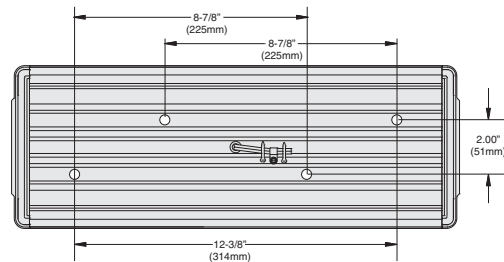


Responder LP R1 Series features the larger (Con3™) Conical Super-LED modules for an extreme low profile and bright warning light.

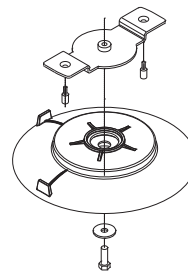
Mounting



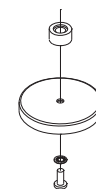
Polycarbonate base permanent and magnetic mounting holes.



Aluminum base permanent, magnetic and magnetic/suction mounting holes.



Magnetic/Suction Mount



Magnetic Mount with 50 lb. pull magnets



Magnetic & magnetic/suction mounts include a 10' straight cord with dual switch cigar plug with On/Off and pattern control.

WHELEN[®]
ENGINEERING COMPANY, INC.

51 Winthrop Road
Chester, Connecticut 06412-0684
(860) 526-9504 • Fax: (860) 526-4078
www.whelen.com



Whelen Engineering reserves the right to upgrade and improve products without notice.