

VI POD™ Series

SUPER-LED® MINI LIGHTBAR

NEW PRODUCT!

Officially Licensed Warning
Lights of NASCAR®



6PODPA

VI POD is an SAE Class 1 primary warning beacon ideal for use on pick up trucks, utility and light construction vehicles. It is designed for mirror mounting, headboard mounting or magnetic mounting and provides 360° of heavy-duty warning for your vehicle.



VIPOD™

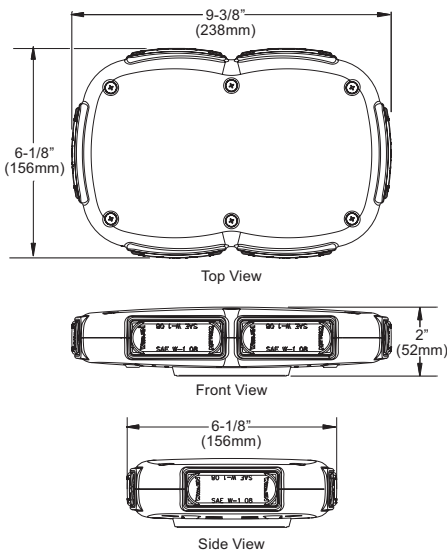
FEATURES

- SAE J845 Class I LED intensity.
- Six LINZ6™ LED modules provide 360 degrees of warning in a compact, versatile housing.
- Rugged LEDs have no glass or filaments to break and are rated for 100,000 hours.
- Self-contained SmartLED® beacon (no external flasher required).
- Low current draw: 2.25 Peak Amp, 0.9 Amp avg. @ 12.8 VDC, three lamps alternating with three lamps.
- 62 Scan-Lock™ flash patterns, plus steady-burn.
- Heavy-duty reinforced thermoplastic housing.
- Permanent mount via single 1/2-13 x 1-1/2" stainless steel bolt includes a 5 conductor 18 gauge 20' TPR cable, standard.
- Permanent mount offers low power control, 62 Scan-Lock™ flash patterns and synchronize feature allows multiple units to be wired as a system.
- Magnetic mount includes 10' straight cigar plug with dual LED indicator On/Off switch and Scan-Lock pattern selection switch plus four 50# pull magnets.
- 12 VDC.
- Five year HDP®, Heavy-Duty Professional warranty.

MODELS (Available in Amber only)

- 6PODPA:** Permanent mount.
- 6PODMA:** Magnetic mount.

DIMENSIONS



*If you aren't buying Whelen,
you aren't really buying American!*



**Whelen Products
are proudly made
in the U.S.A.**

WHELEN®
Engineers for the Emergency Warning Industry

51 Winthrop Road
Chester, Connecticut 06412-0684
(860) 526-9504 • Fax: (860) 526-4078
www.whelen.com

Available in Amber

Form# VPOD0709