

**NEW PRODUCT**

# 3" Round Super-LED® Lighthouse

**SURFACE MOUNT, DIRECTIONAL LIGHTHEAD**

**LIGHTHEADS**

*Here's a versatile LED lighthead ideal for compartment and step lighting, nighttime illumination, auxiliary warning and wherever additional lighting is required but space is limited.*



3SA00FAR  
flashing light



3SC0CDCR  
compartment light



3SR0CDRR  
nighttime illumination light with  
optional grommet mounting kit



Combination color  
compartment  
light, shown in  
white mode



3SRCCDCR  
compartment light,  
combination red/white



3SBCCDCR  
compartment light,  
combination blue/white

## FEATURES

- Super-LED diodes in an aluminum housing, steady-burn, white illumination, flashing and combination red/white or blue/white compartment lights.
- Versatile 3" overall diameter and extremely narrow depth allow you to mount this bright lighthead where larger, bulky products would be a problem.
- Surface mounted for ease of installation and no body cutouts on vehicle. A small wire access hole and two mounting holes are all that is required.
- Moisture and vibration resistant for reliable, long life service.
- Six Super-LED combination red/white or blue/ white compartment lights with independent control of color and white light.
- Three red Super-LEDs are ideal for increased night vision in passenger compartments.
- LEDs are rated for 100,000 hours of operation.
- Optional chrome flange kit available.
- Optional grommet mount, requires 3-5/16" hole cutout.

\* Replace symbol in model number with letter indicating lens or LED color desired:

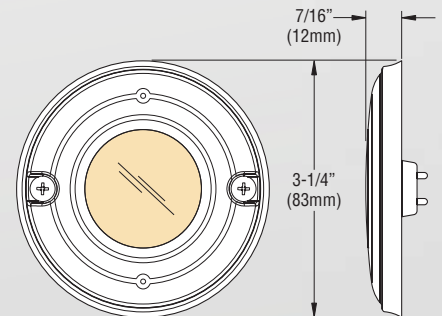
A = Amber; B = Blue; R = Red

## MODELS

- 3S\*00F\*R**..... Flashing, single pattern, red, amber and blue, .50 amps 450 lumens
- 3SC0CDCR**.... Compartment light, white, .36 amps 360 lumens
- 3SRCCDCR** ... Compartment light, combination red/white, .31 amps 140 lumens red, .31 amps 250 lumens white
- 3SBCCDCR** ... Compartment light, combination blue/white, .31 amps 250 lumens white, .31 amps 65 lumens blue
- 3SR0CDRR**.... Nighttime illumination light, red, .31 amps 150 lumens

## OPTIONS

- 3FLANGEC**.... Flange kit, surface mount, chrome
- 3GROMMET** ..Grommet mounting kit



Available in Red, Amber, Blue and White

Whelen Engineering reserves the right to upgrade and improve products without notice.  
© 2012 Whelen Engineering Company, Inc. Printed in U.S.A.  
NASACAR® is a registered trademark of the National Association for Stock Car Auto Racing, Inc.  
Code No. 12404E - 02/12

**WHELEN®**  
ENGINEERING COMPANY, INC.

51 Winthrop Road  
Chester, Connecticut 06412-0684  
(860) 526-9504 • Fax: (860) 526-4078  
www.whelen.com