

508 & 810 Series

SURFACE MOUNT STROBE AND HALOGEN LIGHTHEADS



Surface mounted warning lights keep moisture from building up on the surface of your vehicle and simplify installation and maintenance.

Surface mount lightheads require only a 3/8" wire access hole. Lighthead positioning is flexible because without large cutouts, the unit can be mounted almost anywhere on the vehicle without worrying about structural members or frames.



508 Halogen Scenelight



81E Linear Strobe



810 Halogen



FEATURES

- Eliminates large cut-outs on your vehicle.
- Only four mounting screws, and an access hole for cable are needed making installation and maintenance easier.
- 8-32° Scenelight model featuring snap-in relampable 27 watt bulbs.
- Lens is easily removed for easy access and service in the field.
- Strobe models include 15' of 3-C shielded cable with AMP Mate-N-Lok® connectors; halogen include 6" pigtails.
- A full line of complimentary design lightheads provide primary and secondary lighting such as scene-lighting or brake/tail/turn signals.
- Optional chrome plated flange.

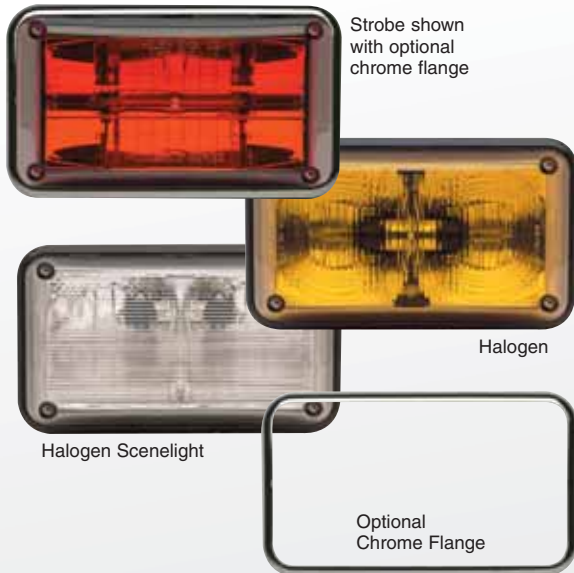
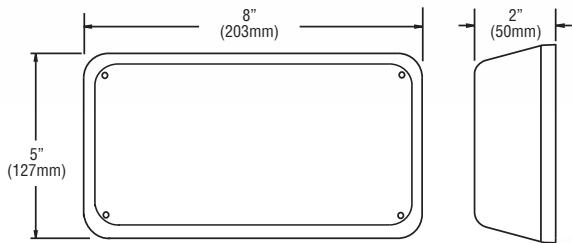


WHELEN®



508 & 810 Series

508 Series Halogen & 58E Series Linear Strobe



508 MODELS

- 58EC20*ULinear strobe
- 580CAA*RDual 27 watt halogen
- 580CAAZR.....8-32° Halogen scenelight
- 508TRIMChrome plated flange

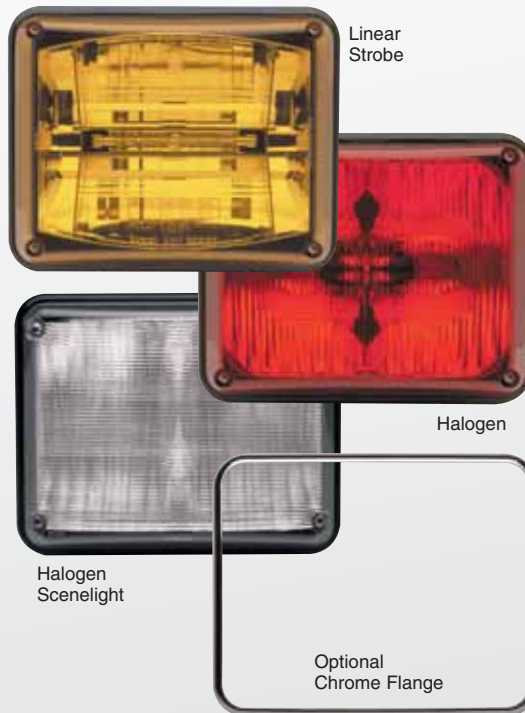
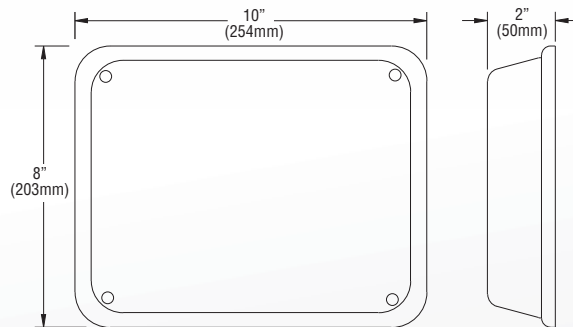
810 MODELS

- 81EC20*UStrobe
- 810CAA*RDual halogen
- 810CA0ZR8-32° Scenelight
- 810TRIMChrome plated flange

* Replace symbol in model number with letter indicating lens color or LED color desired: A= Amber, B = Blue, C = Clear/White, R = Red, G = Green.

Whelen Engineering reserves the right to upgrade and improve products without notice.
 © 2011 Whelen Engineering Company, Inc. Printed in U.S.A.
 NASCAR® is a registered trademark of the National Association for Stock Car Auto Racing, Inc
 Code No. 10118D - 04/11

810 Series Halogen & 81E Series Linear Strobe



WHELEN[®]
 ENGINEERING COMPANY, INC.

51 Winthrop Road
 Chester, Connecticut 06412-0684
 (860) 526-9504 • Fax: (860) 526-4078
 www.whelen.com