

5G & 2G Lightheads Series



Compatible with competitive round and oval lights that fit all applicable industry horizontal or vertical mount accessories



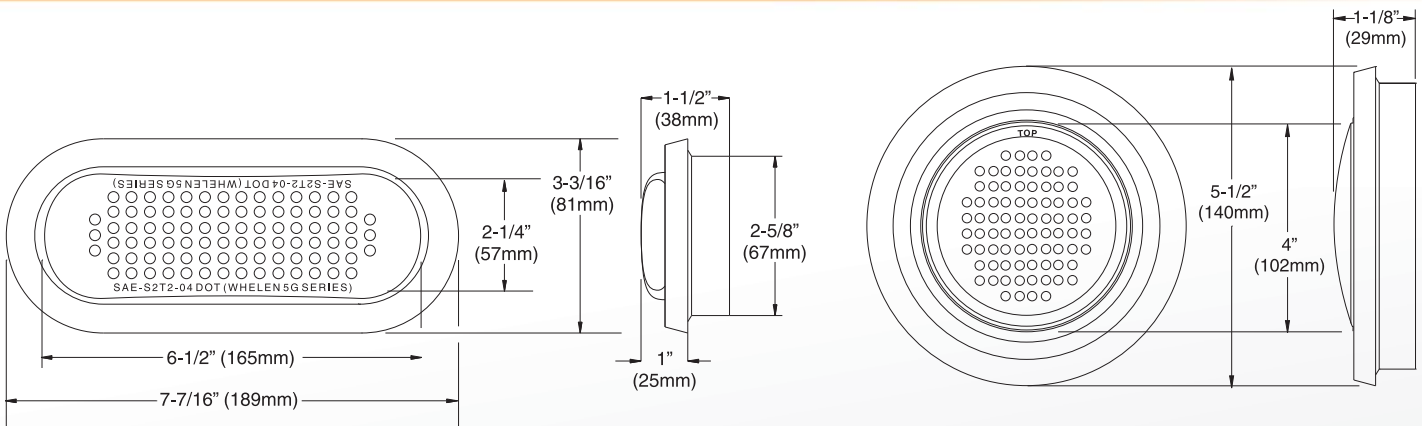
FEATURES

- Superior wide-angle visibility. Fully encapsulated electronics. Rated to last 100,000 hours and exceed SAE J845 Class 1 minimum requirements.
- Mounts either vertical or horizontal.
- Warning lamps have Smart-LED® design feature with 15 Scan-Lock™ flash patterns; 0.28 amp (average).
- Vinyl mounting grommet included in most models.
- Surface mounting possible with optional flange.
- Multiple lights can be synchronized to flash simultaneously or alternated using UFM8 (8 outlet), or ULF44 (4 outlet) electronic flashers.
- Lamp includes 6" integral wires, eliminating the need for a special adaptor plug, as well as, a potential corrosion point found on competitive products.
- Contact factory for custom wire lengths and termination.
- 12 VDC.
- Five year HDP® Heavy-Duty Professional warranty.



WHELEN®

5G & 2G Lighthead Series



5G MODELS

- 5GA00FAR.....5mm warning, amber LEDs, amber lens
- 5GA00FCR5mm warning, amber LEDs, clear lens
- 5GR00FCR5mm warning, red LEDs, clear lens
- 5GR00FRR5mm warning, red LEDs, red lens
- 5GC00WCR ...Super-LED® Back-up, white LEDs, clear lens
- 5GOCCCRSuper-LED compartment light, white LEDs, clear lens

2G MODELS

- 2GA00FAR.....5mm warning, amber LEDs, amber lens
- 2GA00FCR5mm warning, amber LEDs, clear lens
- 2GR00FCR5mm warning, red LEDs, clear lens
- 2GR00FRR5mm warning, red LEDs, red lens
- 20C0CDCRSuper-LED compartment light, requires optional mounting kit purchased separately
- 20C0CDCDSuper-LED compartment light with Deutsch® connector, requires optional mounting kit purchased separately

5G OPTIONS

- 5GBKT1“L” mounting bracket
- 5GFLANGB ...Surface mount black flange kit
- 5GFLANGC ...Surface mount chrome plated flange kit

2G OPTIONS

- 2GBKT1“L” mounting bracket
- 2GFLANGB ...Surface mount black flange kit
- 2GFLANGC ...Surface mount chrome plated flange kit
- 2GROMMET ..Grommet mounting kit for 4” Round compartment lights



5GFLANGC
Lighthead purchased separately



5GFLANGB
Lighthead purchased separately



5GBKT1
Lighthead purchased separately

2GBKT1
Lighthead purchased separately



WHELEN®
ENGINEERING COMPANY, INC.

51 Winthrop Road
Chester, Connecticut 06412-0684
(860) 526-9504 • Fax: (860) 526-4078
www.whelen.com

Whelen Engineering reserves the right to upgrade and improve products without notice.
© 2010 Whelen Engineering Company, Inc. Printed in U.S.A.
NASCAR® is a registered trademark of the National Association for Stock Car Auto Racing, Inc.
Code No. 11984E - 01/14