

6" Round

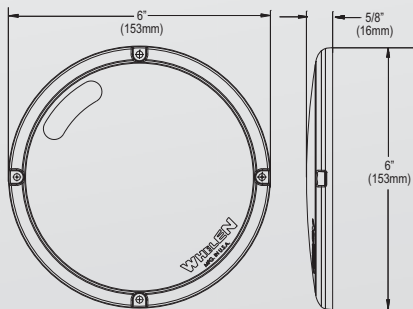
LOW PROFILE, SURFACE MOUNT SUPER-LED® INTERIOR LIGHT

Bright, evenly distributed lighting for your ambulance cab, interior and patient compartment in a virtually flush mounted lighthead.

When patient compartment lights simulate natural daylight for more accurate patient evaluation, truer flesh tones. Interior lights provide bright, even illumination using high performance, trouble-free Super-LEDs. All are virtually flush mounted to fit in tight spaces, and offer split color red/white or blue/white plus high or low intensity for proper visibility as needed.

FEATURES

- Low profile surface mount.
- Model 60°EHCR offers High/Low intensity operating mode.
- Eighteen diode models with High/Low are designed as an alternative to existing 8" compartment lights.
- Ideal for cab and interior lighting, 12-diode models are available in split white/red and white/blue.
- Dual color versions have two surface mounted switches on the lens face for On/Off white and On/Off color.
- Dual color models have a dedicated enable wire for each color source (ground activated) through a customer supplied switch.
- 12 or 24 VDC.
- Five-Year HDP® Heavy-Duty Professional warranty.



60C0EHCR
60U0EHCR



Profile



Split color shown in white mode



60CREGCS
60UWEGCS



60CBEGCS
60UTEGCS

MODELS

Models	Color	Volt	Amps		Lumens		Kelvin Color Level
			High	Low	High	Low	
60C0EHCR	white	12	1.2	.13	1000	80	4000
60U0EHCR		24	.62	.07			
60CREGCS	split red/white	12	.70 white	.50 red	400 /white	300 /red	-
60UWEGCS		24	.35 white	.25 red			
60CBEGCS	split blue/white	12	.70 white	.50 blue	400 /white	200 /blue	-
60UTEGCS		24	.35 white	.25 blue			



Whelen Engineering reserves the right to upgrade and improve products without notice.
© 2011 Whelen Engineering Company, Inc. Printed in U.S.A.
NASCAR® is a registered trademark of the National Association for Stock Car Auto Racing, Inc.
Code No. 12494A - 07/11

WHELEN®
ENGINEERING COMPANY, INC.

51 Winthrop Road
Chester, Connecticut 06412-0684
(860) 526-9504 • Fax: (860) 526-4078
www.whelen.com