

# Model 86CE1

## SUPER-LED® INTERIOR LIGHT

High performance Super-LEDs evenly distributes light throughout the ambulance interior without hot zones and shadows. 86CE1 replicates natural light for monitoring patient skin tones while illuminating emergency equipment.



### FEATURES

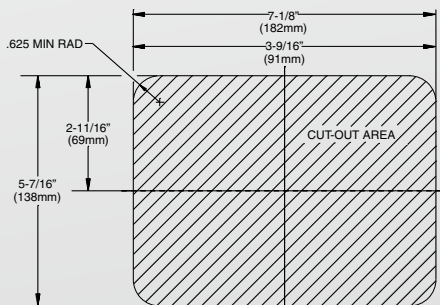
- Reliable, long-life performance
- High/Low intensity mode
- One piece reflector and chrome-plated trim flange
- Super-LEDs eliminate the high cost of halogen and incandescent lamp replacement

- Conformal coated encapsulation provides moisture and vibration resistance
- Standard with a 6" pigtail
- Certified to meet KKK 1822F interior requirements (when properly installed)
- Current draw specifications: 2.0 amps Hi power, .20 amps Low power at 12.8 VDC

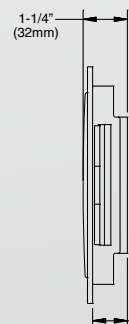
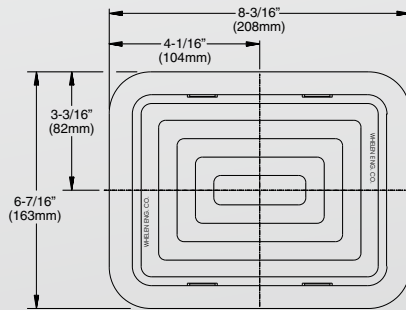
- 5 year HDP® Heavy-Duty Professional warranty

### MODEL

**86CE1** .....12 Diode interior light



Mounting Hole Detail



Whelen Engineering reserves the right to upgrade and improve products without notice.  
 © 2014 Whelen Engineering Company, Inc. Printed in U.S.A.  
 NASCAR® is a registered trademark of the National Association for Stock Car Auto Racing, Inc.  
 Code No. 12256C - 05/14



# WHELEN®

ENGINEERING COMPANY, INC.

51 Winthrop Road  
 Chester, Connecticut 06412-0684  
 (860) 526-9504 • Fax: (860) 526-4078  
 www.whelen.com