

PAR-46 Series

DUO™ SPOT/WARNING LIGHT FOR UNITY® POST SPOTLIGHTS



Now you can add Super-LED red or blue warning capability to your Unity-style post spotlight without taking away the effectiveness of the spotlight. Dual warning and spot can also be ideal for certain marine, utility and construction applications.



Shown in spotlight and warning mode

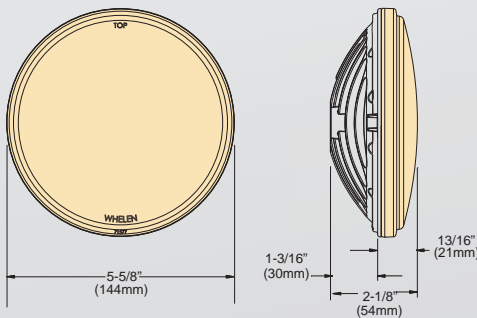
FEATURES

- **NEW** Combination 8° spotlight with flashing Red or Blue color warning light with 12 white diodes and 6 color diodes (patent pending).
- **NEW** Choose from steady White and flashing warning or steady White and flashing warning and alternating flashing warning with flashing White models (patent pending).
- **NEW** DUO 8" spotlight, White spot, California Steady Red.
- DUO lighting provides unmatched spot lighting and effective flashing/warning protection.
- Spotlight override.
- Single wire control interfaces with existing Unity-style switching, turn on for spot lighting, turn off and back on quickly for warning light activation.
- 12VDC.
- Reverse polarity protected.
- Five year HDP® Heavy-Duty Professional warranty.

MODELS

- P46S2***:.....One-wire control for spot lighting and warning color
- P462*3**:One-wire control for spot lighting, warning flash, or, White and warning alternate flashing
- P46S2X**:.....DUO 8" Spotlight, White spot, California Steady Red

Replace * in model number with warning color desired:
R=Red, B=Blue



Follow us on

WHELEN
ENGINEERING COMPANY, INC.

51 Winthrop Road
Chester, Connecticut 06412-0684
(860) 526-9504 • Fax: (860) 526-4078
www.whelen.com



Whelen Engineering reserves the right to upgrade and improve products without notice.
© 2012 Whelen Engineering Company, Inc. Printed in U.S.A.
NASCAR® is a registered trademark of the National Association for Stock Car Auto Racing, Inc.
Code No. 12601B - 09/12