

# Pan & Tilt™ Series

## 360 DEGREE REMOTE CONTROL SPOTLIGHT

**Whelen professional grade LED lighting in a remote control spot light ideal for Utility linesmen, construction, marine, fire and law enforcement applications.**

Wired or wireless control and all the heavy-duty attributes of LED lighting make this the adaptable resource you've been waiting for when search and work/scene lighting is required!

### FEATURES

- 360° remote control spotlight.
- Wired or wireless controller.
- Wireless control mounts anywhere in easy access on your vehicle and provides smooth control of light without long cable runs.
- Wireless control head allows for multiple lights to run off one controller.
- Proportional push-button control provides quick and easy operation.
- Pans 210° left, 210° right.
- Tilts 90° upwards, 20° downwards.
- Pan rotation speed: 30°/sec.
- Tilt speed: 25°/sec.
- Defaults to home position after use.
- Instant On/Off eliminates high current on-rush and warm-up time.
- Heavy-duty LEDs are rated for thousands of hours of use and provide 1475 lumens.
- Low amperage: draws only 2 amps.
- Permanent or flange mount.
- Polycarbonate base and dome with silicone gasket to protect unit from moisture and dust.
- Dome is hard-coated for scratch and fade resistance.
- 12.8 VDC.
- Five year HDP® Heavy-Duty Professional warranty.

PT360P shown in home position

PT360P shown in tilt position



Wired Controller

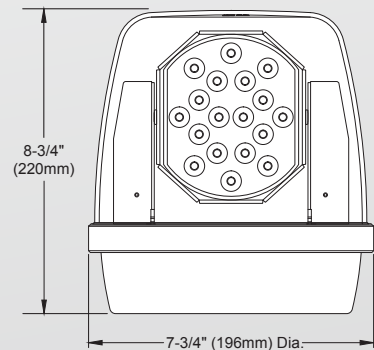
Wireless Controller showing clip on back

### MODELS

- PT360P** .....Permanent mount, wired controller.
- PT360PW** .....Permanent mount, wireless controller.
- PT360F** .....Flange mount, wired controller.
- PT360FW** .....Flange mount, wireless controller.



Flange mount



**WHELEN®**  
ENGINEERING COMPANY, INC.

51 Winthrop Road  
Chester, Connecticut 06412-0684  
(860) 526-9504 • Fax: (860) 526-4078  
www.whelen.com

Whelen Engineering reserves the right to upgrade and improve products without notice.  
© 2014 Whelen Engineering Company, Inc. Printed in U.S.A.  
Code No. 12599C - 0514