

NEW PRODUCT

LIGHTHEADS

PAR-36 & PAR-46 Series

SUPER-LED® FLOODLIGHTS AND SPOTLIGHTS



PAR-36 and PAR-46 Super-LED worklights are rated to last 50,000 hours and provide remarkably bright light. Available in either spot or flood beam patterns.



PAR-36
Combination
Spotlight/Floodlight
with Rubber Swivel
Housing



PAR-46
Spotlight with
Rubber Swivel
Housing



PAR-36
Pedestal/Swivel
Spotlight or
Floodlight



PAR-36 Stud/Swivel
Spotlight



PAR-36 Magnetic
Floodlight



PAR-36 Hand Held Combination
Spotlight/Floodlight



PAR-46
Hand Held
Spotlight

FEATURES

- Ultra bright Super-LED with low current draw and long life.
- 24 VDC available, contact factory.
- Five-year HDP® Heavy-Duty Professional warranty.

Hand Held Spotlight

- Hand held units includes 90# pull magnet mount, 8' coiled cord and cigar plug.
- Waterproof durable push button On/Off switch.
- PAR-36 is a combination spot/floodlight and 12/24 dual voltage.
- PAR-46 is a spotlight and 12 VDC.

Spotlights and Floodlights

- Choose floodlight or spotlight models.
- Choose pedestal/swivel or stud/swivel mounting.
- Two intensity choices with 6 or 12 diodes.
- Rugged diecast housing with ABS back cover available in chrome or black.
- Stud/swivel mount includes stainless steel bracket and hardware.
- Lamps include 10" wires; contact factory for custom wire lengths and termination.

Magnetic Floodlight

- Magnetic mount floodlight with 90# pull magnet, 12' cord with cigar plug and On/Off switch.

Rubber Swivel Flood/Spotlights

- PAR-36 is a combination spot/floodlight and 12/24 dual voltage.
- PAR-46 is a spotlight and 12 VDC.
- Includes stainless steel bracket and hardware..

WHELEN®

PAR-36 & PAR-46

SUPER-LED® FLOODLIGHTS AND SPOTLIGHTS

Floodlight/Spotlight Combination Models

Model No.	Diodes	Lumens	VDC	Amps	Mount	Switching
P36HHS	6	500	12/24	0.85 @ 12 VDC 0.325 @ 24 VDC	hand held	built-in waterproof on/off switch with 90# pull magnet mount
P36SLCHG	6	500	12/24	0.85 @ 12 VDC 0.325 @ 24 VDC	rubber swivel	-



Spotlight Models

Model No.	Diodes	Lumens	VDC	Amps	Mount	Switching	T-Handle	Rear Cover
PSBP12	12	1000	12	1.70	pedestal swivel	built-in on/off switch	yes	black
PSBP12C								chrome
PSBP6	6	500		0.85	stud/swivel	-	-	black
PSBP6C								chrome
PSBS12	12	1000		1.70	stud/swivel	-	-	black
PSBS12C								chrome
PSBS6	6	500		0.85	stud/swivel	-	-	black
PSBS6C								chrome
P46SLCHG	9	1800	12	2.3	rubber swivel	-	-	black rubber
P46HHS	9	1800	12	2.3	hand held with 90# pull magnet	built-in on/off switch	-	black



Floodlight Models

Model No.	Diodes	Lumens	VDC	Amps	Mount	Switching	T-Handle	Rear Cover
PFBP12	12	1000	12	1.70	pedestal swivel	built-in on/off switch	yes	black
PFBP12C								chrome
PFBP6	6	500		0.85	stud/swivel	-	-	black
PFBP6C								chrome
PFBS12	12	1000		1.70	stud/swivel	-	-	black
PFBS12C								chrome
PFBS6	6	500		0.85	stud/swivel	-	-	black
PFBS6C								chrome
PFBM12	12	1000	1.70	magnetic	cord with on/off switch	-	-	black



PAR-36 Spotlight Comparisons



PAR-36 Halogen Lamp



P36SLC Super-LED Lamp

PAR-46 Spotlight/Floodlight Comparisons



Typical 50 watt halogen lamp



P46SLC - 2° Spotlight



P46FLC - 8° Spotlight



P46WLC - 20° x 60° Floodlight

PAR-46 Replacement Lamps

SUPER-LED® FLOODLIGHTS AND SPOTLIGHTS

Designed especially for the Unity® Spotlight, PAR-46 Super-LED lights are a drop-in replacement for outdated halogen lamps.

Lightweight, low-current and water resistant, they provide brilliant light output for thousands of operating hours.

FEATURES

- 12 VDC Super-LED spotlights provide more Lumens Per Watt (LPW) than traditional sources.
- Reverse polarity protected.
- Hard coated polycarbonate lens provides increased durability and longevity.
- Heavy-duty black powder coated die-cast aluminum heatsink.
- Industry standard brass slotted head connection point.
- Patent Pending: (P46SLC only) Internal thermal regulator maximizes the lifespan of the LED diodes. Internal circuitry and unique optics provide an intense and even circular lighting pattern.
- Ventilation system reduces moisture build-up.
- Unit weighs only 1lb.
- SAE J1113-42 Class 5 EMI certified.
- Emits zero EMI.
- Installs easily in minutes.
- 5 HDP® Heavy-Duty Professional warranty.



P46FLC
8° Spotlight



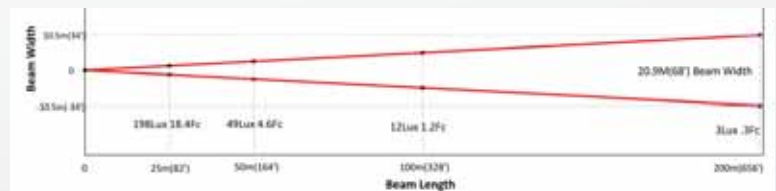
P46WLC
20° High x 60° Wide Floodlight



P46SLC
2° Spotlight

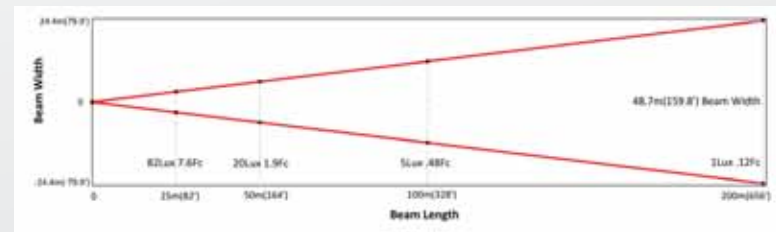
P46SLC

Peak Beam Intensity: 123500cd; Maximum Beam Distance: 2306' (703m); Total Beam Angle: 6°



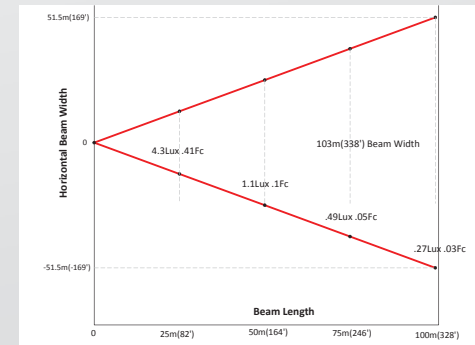
P46FLC

Peak Beam Intensity: 51144cd; Maximum Beam Distance: 1484' (452m); Total Beam Angle: 14°



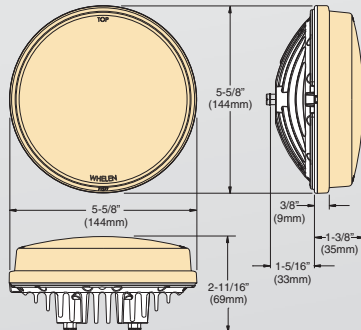
P46WLC

Peak Beam Intensity: 2730cd; Maximum Beam Distance: 343' (104m); Total Beam Angle: 62°

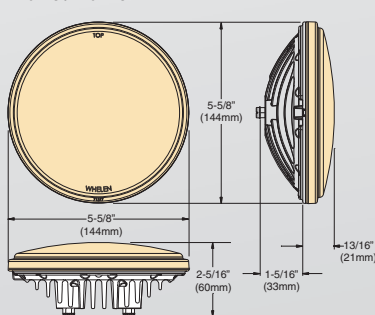


Model	Lamp Type	Amp Draw	Watts	Lumens
Traditional Halogen Lamp	Spotlight	4.3A	55	1100
P46SLC	2° Spotlight	2.3A	30	2000
P46FLC	8° Spotlight	1.9A	25	1600
P46WLC	20° high x 60° wide Floodlight	1.9A	25	1600

P46SLC



P46FLC / P46WLC



PAR-36 Replacement Lamp

SUPER-LED® SPOTLIGHT

PAR-36 Super-LED spotlight is rated to last 50,000 hours and provides remarkably bright light.

PAR-36 LED light is a drop-in replacement for outdated Halogen lamps. Lightweight, low-current and water resistant, they provide stable light output for thousands of operating hours.

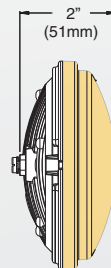
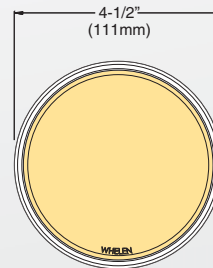


FEATURES

- Ultra bright Super-LED with low current draw and long life.
- 12/24 VDC spot/flood combination.
- 0.650 amp @ 12 VDC
0.325 amp @ 24 VDC.
- Non-polarity sensitive.
- Heavy-Duty military application.
- Tough polycarbonate replaceable outer lens.
- Water resistant.
- Metal, heat dissipating coated housing.
- Fresnel/Whelen TIR (Total Internal Reflector) technology combining spot and flood optics resulting in superior intensity and effectiveness.
- Five-year HDP® Heavy-Duty Professional warranty.
- 6 diode producing 500 usable lumens.



P36SLC



MODEL

P36SLC.....PAR-36 Super-LED Replacement, White

WHELEN®
ENGINEERING COMPANY, INC.

51 Winthrop Road
Chester, Connecticut 06412-0684
(860) 526-9504 • Fax: (860) 526-4078
www.whelen.com

Whelen Engineering reserves the right to upgrade and improve products without notice.
© 2012 Whelen Engineering Company, Inc. Printed in U.S.A.
NASCAR® is a registered trademark of the National Association for Stock Car Auto Racing, Inc
Code No. 12258E - 02/12