

Super-LED® Scenelights (Patent Pending)

HIGH INTENSITY 2-40° GRADIENT OPTI-SCENELIGHT™

LIGHTHEADS

Five sizes to choose from to complete your total LED lighting package.



60C0ELZR



9SC0ENZR



M9LZC (shown with optional Chrome flange).



6SC0ENZR



70C0ELZR



M6ZC

Part of a complete ambulance or emergency vehicle LED lighting package with all the benefits of LED technology.

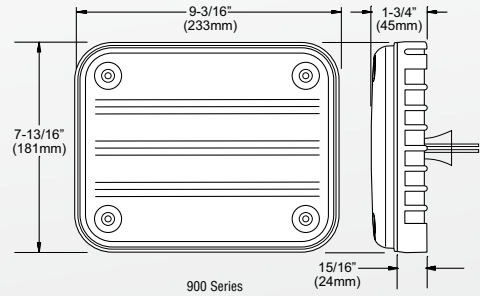
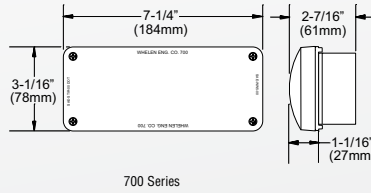
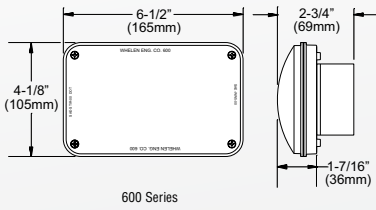
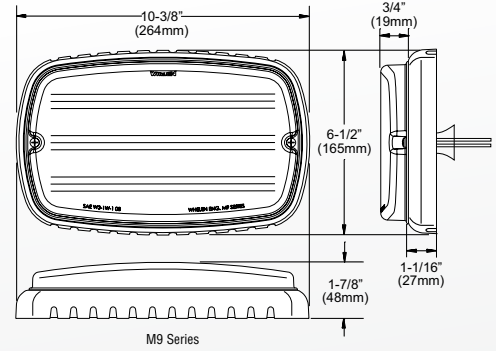
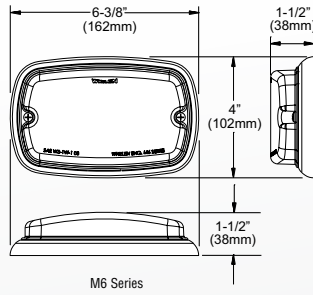
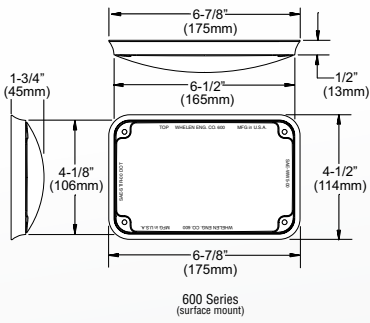
FEATURES

- 12 diode models are comparable in intensity to existing halogen scenelights. 24 diode models compare to H.I.D. models.
- Unique patented internal and external optic design directs lighting at 2-40° angles without added inserts or angle brackets. (9SC0ENZR/ M9LZC).
- 900 Series is as bright as and more reliable than H.I.D., and eliminates the high cost replacements associated with H.I.D. lamps and ballasts!
- No high voltage.
- Lower operating temperature.
- Super-LEDs are instant "On", no warm-up or high current voltage spikes on start up.
- 600 and 700 Series use standard optional mounting flanges.
- M9 and 9SC0ENZR come standard with chrome flange, and are surface mount. Requires no body cutouts.
- Conformal coated internal electronics.
- LED lights do not emit ultra-violet radiation that attracts insects during night operation like H.I.D. lights do.
- HDP® Heavy-Duty Professional 5 year warranty.
- 9SC0ENZR/ M9LZC are certified to meet KKK 1822F / AMD Standard 024 requirements.
- Optional chrome plated or black flanges 600/700 Series.
- 9SC0ENZR and M9LZC come standard with ABS chrome mounting flange.



WHELEN®

Super-LED® Scene Lights



MODELS

Model No.	Diodes	Amp Draw	Lumens	Mount
6SCOENZR	12	1.0	750	Recess Mount
60COELZR		2.0	1500	
70COELZR				
9SCOENZR	24	6.0	6500	Surface Mount
M6ZC	12	2.0	2000	
M9LZC	24	6.0	6500	

OPTIONS

- 6EFLANGE 600 Series, Chrome Plated Flange.
- 7EFLANGE 700 Series, Chrome Plated Flange.
- M6FC Flange, Chrome.
- M6FB Flange, Black.
- M9FC Flange, Chrome.
- M9FB Flange, Black.

Whelen Engineering reserves the right to upgrade and improve products without notice.
 © 2011 Whelen Engineering Company, Inc. Printed in U.S.A.
 NASCAR® is a registered trademark of the National Association for Stock Car Auto Racing, Inc.
 Code No. 12076D - 01/11

WHELEN®
 ENGINEERING COMPANY, INC.

51 Winthrop Road
 Chester, Connecticut 06412-0684
 (860) 526-9504 • Fax: (860) 526-4078
 www.whelen.com