

Model 295SL Series

ELECTRONIC SIRENS WITH SCAN-LOCK™ SIREN TONES

Maximum warning protection using minimal space.

Economically priced. Full function siren plus radio repeat and public address. Operates up to two 100 watt speakers. Includes Hands-Free operation and Scan-Lock™ siren tones. Self-contained unit for under-dash mounting. Two models to choose from; hard-wired microphone or removable microphone with a volume control knob. Two year warranty. Backward compatible to the original 295HF100 and WS2100 Series connector.

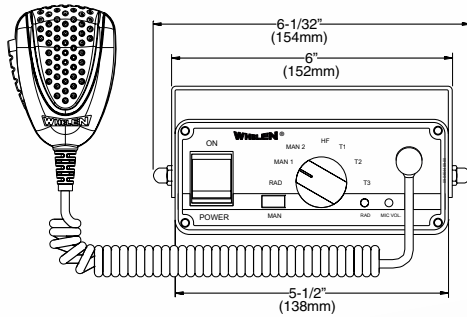


FEATURES

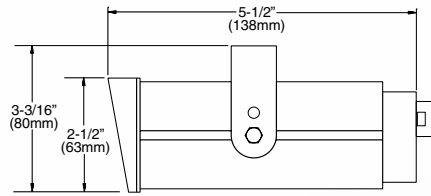
- 17 Scan-Lock™ Siren Tones to choose from (Pat. # RE38,795). The 295SL allows for user selectable siren tones via momentary recessed switch, located on the rear of the unit. Choose the placement of each siren tone on rotary knob for complete user customization.
- Economical six function siren plus radio repeat and public address.
- Meets California & SAE specifications, SAE J1849 & California Title 13.
- Model 295SL100 operates up to two 100-watt speakers.
- “Hands-Free” operation. Turn On/Off and access all three siren tones (default Wail, Yelp and Piercer™) without taking hands from steering wheel.
- Two manual functions allow for additional siren tone choices when you need it the most.
- PTT (push to talk) switch on microphone overrides all siren functions.
- Combination On/Off and horn ring transfer switch.
- Pre-wired unidirectional microphone.
- Optional plug-in microphone with volume control knob.
- Adjustable preset microphone volume.
- Adjustable preset radio repeat volume.
- Input polarity protection.
- Output short circuit protection.
- External spade-type fuse.
- Bi-polarity horn/ring control activation.
- “Aux Enable” activates siren tones via input (slide switch, power controls or relay-to-ground connection).
- Quick disconnect plug for ease of service or replacement.
- Adjustable bail bracket allows the mounting of the siren in a variety of positions.
- Complements all Whelen’s under dash products.
- Backward compatible to the original 295HF100 and WS2100 Series connector.
- Optional 24VDC model available, contact factory.

WHELEN®
ENGINEERING COMPANY, INC.

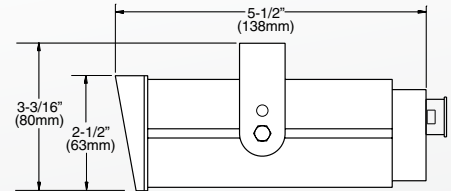
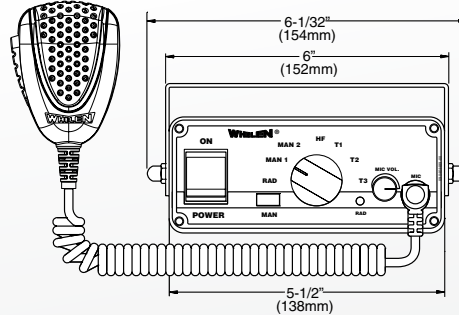
Model 295SL Series Specifications



295SL101
with removable
microphone &
volume control
knob



295SL100



MODELS

295SL100:12VDC hard wired microphone

295SL101:Removable microphone with volume control knob

SPECIFICATION

Input Voltage: 10-16VDC

Polarity: Negative ground

Polarity Protection: Diode / Fuse

Output Power: (2) 100 Watt Speakers

Output Load: Two 11 OHM Speakers

Input Current: 0 MA (OFF)

Standby Current: 100 MA (max) (backlight off)

Backlight Current: 150 MA (max)

Operating Current: 16 AMPS (max)

Fuse: 20 AMP auto fuse

Fuse Mounting: Rear Panel

Output Short Protection: Fuse

Audio Frequency Range: 300Hz - 10000Hz +/-3dB

Distortion: <5% @ 1KHz @ 25 Watts

Radio Input Impedance: 1500 OHMS

Horn / Ring Control: +/- 12VDC or ground

Operating Temperature: -30 / +80 Degree C

Operating Humidity: 99% non condensing

Connector: 12 pin AMP Mate-N-Lok®, 24" pigtail wires

HANDS-FREE, T1, T2 & T3

- Tone-Off
- Wail
- Yelp
- Piercer
- Y-249 (Yelp 249)
- Hi/Low
- Simulated Mechanical
- Pulsed Airhorn
- Airhorn Hi/Low
- Woop
- Warble

Wail, Yelp & Y-249 are California

Title-13 Compliant Siren Tones.

For MAN1 & MAN2 Operation

- Tone-Off
- Simulated Mechanical Coast-to-Stop
- Simulated Mechanical Stop
- Wail Coast-to-Stop
- Wail Stop
- Airhorn
- Low Frequency Airhorn

OVERRIDE, T1, T2 & T3

- Tone-Off
- Wail
- Yelp
- Piercer
- Y-249 (Yelp 249)
- Hi/Low
- Simulated Mechanical
- Pulsed Airhorn
- Airhorn Hi/Low
- Woop
- Warble
- Airhorn
- Low Frequency Airhorn



Whelen Engineering reserves the right to upgrade and improve products without notice.
© 2013 Whelen Engineering Company, Inc. Printed in U.S.A.
Code No. 10054E - 01/13

WHELEN[®]
ENGINEERING COMPANY, INC.

51 Winthrop Road
Chester, Connecticut 06412-0684
(860) 526-9504 • Fax: (860) 526-4078
www.whelen.com

American Employees, American Manufacturing, American Pride!