

NEW PRODUCT

**SIRENS
SPEAKERS
SWITCHES**

Alpha Siren Series

HANDS-FREE 100 AND 200 WATT ELECTRONIC SIRENS

Economy priced ALPHA Sirens deliver 100 or 200 watts of siren warning power, HANDS-FREE operation, multiple warning tones and horn ring over-ride capability.

ALPHA Sirens allow easy set-up and configuration to meet local requirements without special ordering.



ALPHA12S



ALPHASL

FEATURES

- Compact design is perfect for under-cover and volunteer applications.
- Control siren tone through horn ring or separate switches.
- Hands-Free operation lets you cycle through two or three siren tones using horn or auxiliary control.
- Meets Class A requirements with most 100 watt speakers.
- Harmonically rich composite Air Horn tones.
- Output open/short circuit protection.
- Easy to install. Pre-wired with quick disconnect plugs for easy service and fast replacement.
- 12 VDC.
- 24 Month Warranty.

ALPHA12S FEATURES

- Five siren tones, dip switch accessible allows instant configuration of popular operating features.
- Operates one 100 Watt siren speaker.
- Compact design is easy to install underdash, in a console or in a rack.

ALPHASL FEATURES

- Scan-Lock™ feature allows you to toggle through 15 siren tones.
- Operates one or two 100 Watt siren speakers.
- Five optional switch panels available. Will also operate from customer supplied switching controls.

MODELS

ALPHA12S...Self-contained 100 watt siren, dip switch configuration.

ALPHASL....Remote 200 watt siren, Scan-Lock programmable. (Replaces ALPHA12R)

OPTIONAL SWITCHES

ALPHA 1Single rocker switch for use with Hands-Free operation.

ALPHA 2Single On/Off Hands-Free activation plus momentary switch for Airhorn.

ALPHA 3Tone 1/Off/Tone 2 switch operation plus momentary switch for Airhorn operation.

ALPHA 4Three switch operation, one On/Off, one Tone 1/Hands-Free/Tone 2 plus momentary switch for Airhorn.

ALPHA 5Three position toggle switch, controls 3 siren tones and other warning lights or device functions.

Contacts rated at 30 amps.
ALPHA 1-4 Switches include "L" mounting bracket.
** Not for motorcycle use.

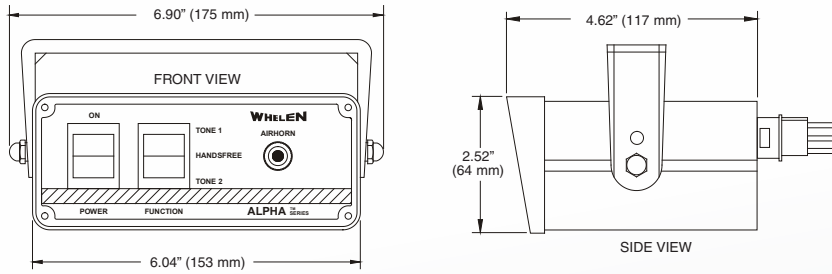
Model ALPHASL Switch Options



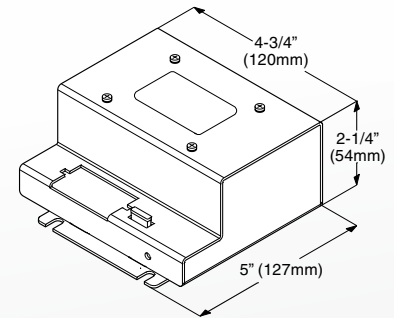
WHELEN®

ALPHA SERIES SPECIFICATIONS

Model ALPHA12S



Model ALPHASL



ELECTRICAL, PHYSICAL AND ENVIRONMENTAL DATA

Function	ALPHA12S	ALPHASL
Input Voltage	10-16 VDC	12.8 VDC
Polarity	Negative ground	Negative ground
Polarity Protection	Diode/Fuse	Diode/Fuse
Output Power	100 Watts	200 Watts
Output Load	One 11 OHM speaker	Two 11 OHM speakers
Input Current (off)	0 ma	0 ma
Input Current (siren on)	8 amps (max)	15 amps (max)
Standby Current	10 ma (max)	10 ma (max)
Fuse	10 amp auto fuse	20 amp
Fuse Mounting	Spade type , in-line connector	Spade type, PC board
Output Short Protection	Fuse	Fuse
Horn/Ring Control	+12VDC or ground	+12VDC or ground
Weight	2.2 lbs / 1 kg	2.4 lbs / 1.2 kg
Operating Temperature	-30° C to +60° C	-30° C to +60° C
Operating Humidity	0-95% Non-condensing	0-99% Non-condensing
Connector	One 6 Pin AMP Mate-N-Lok®, 24" wiring pigtail	One 16 position input connector

SIREN TONES

ALPHA12S	ALPHASL
Wail	Wail
Yelp	Yelp
Piercer	Piercer
Hi/Low	Hi/Low
Airhorn	Y249
	Warble
	Whoop
	Mechanical
	Pulsed Airhorn
	Airhorn Hi
	Airhorn Low
	Alt. Wail
	Alt. Yelp
	Pulsed Piercer
	Pulse Yelp/Airhorn

ALPHA12S - DIP SWITCH CONFIGURATION SELECTIONS

- In HANDS-FREE operation, choose three tone or two tone cycle.
- For tone three, choose Piercer or Hi/Low or No Tone.
- In Manual Siren, choose manual stop or coast down.
- Choose: Piercer to override Yelp or Airhorn to override Yelp.
- Choose: Yelp to override Wail (toggle Yelp/Wail) or Yelp to override Wail for 10 seconds & automatically resume wail.

Note: Selection of one function may preclude use of another function. Consult Installation and Operation Manual.

ALPHASL - SCAN-LOCK CONFIGURATION SELECTIONS

- Choose three modes of siren operation.
- In Manual mode, choose one of eight siren tones.
- For primary tones choose one of fifteen siren tones.
- In Airhorn mode, choose between standard or the NEW Low Frequency Airhorn tones.

WHELEN[®]

ENGINEERING COMPANY, INC.

51 Winthrop Road
 Chester, Connecticut 06412-0684
 (860) 526-9504 • Fax: (860) 526-4078
 www.whelen.com

Whelen Engineering reserves the right to upgrade and improve products without notice.
 © 2012 Whelen Engineering Company, Inc. Printed in U.S.A.
 Code No. 10105E - 07/12

American Employees, American Manufacturing, American Pride!