

EPSILON™ Siren Series, Economy

100 AND 200 WATT SELF-CONTAINED ELECTRONIC SIRENS



EPSL1



Diagnostix™



EPSL2S9

The Epsilon Siren Series provides a wide range of features in a low cost siren that meets SAE Class A sound requirements and is California Title 13 compliant.



EPSL2S6

Epsilon provides hands-free operation, public address, Scan-Lock™ multiple warning tones and real time Diagnostix!

FEATURES

- Full featured, self-contained electronic siren.
- 100 and 200 watt models.
- Hands-free operation from the vehicle steering wheel.
- Programmable outlets.
- Long lasting LED backlighting.
- Compact design, includes noise-cancelling microphone.
- Scan-Lock siren tone programming with nine tones to choose from.
- Harmonically rich composite airhorn tones.
- 7 position rotary switch function selector allows choice of standby for use with the manual button, manual tone 1 & 2.
- Hands-free position allows horn ring control inputs for operation of the siren and tone 1, 2 and 3 positions.
- Each tone position has an override tone when the manual button is depressed.
- Non-destructive short circuit protection.
- PA override.
- California Title 13 compliant profiles.

- Meets SAE Class A sound requirements when used with most 100 watt speakers.
- Real time diagnostics indicator. When the indicator is steady, siren is operating correctly. If it single flashes, speaker is short circuited; and, if the indicator is off, speaker is under current.
- Scan-Lock switch is located on the rear for security to ensure all fleet sirens are set with the same tones.
- Installation package includes all the necessary mounting hardware and input pigtail connector.
- Front of unit provides a PA volume control knob for the noise-cancelling microphone, On/Off switch, manual button and 7-position rotary switch.
- Easy to install. Pre-wired with quick disconnect plug for easy service and prompt replacement.
- Twenty-four month warranty.

EPSL2S6/EPSSL2S9

- Speaker diagnostic indicator.
- Full function 200 watts of output power with Radio Repeat (for up to two 100 watt speakers).
- EPSSL2S6 has 6 On/Off lighted toggle switches.
- EPSSL2S9 has a 4 position programmable slide switch and 6 On/Off lighted toggle switches.
- LED on indicator for each switch

EPSSL1

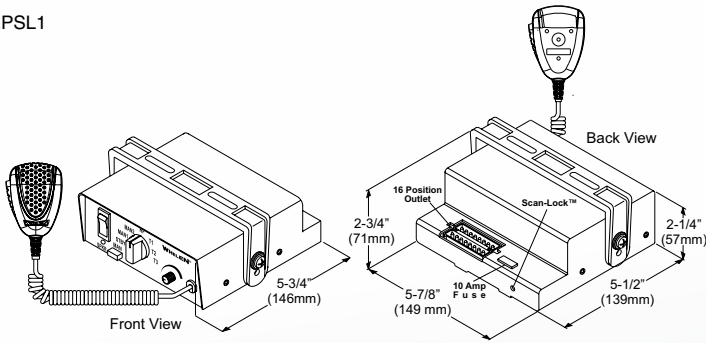
- 100 watt of output power.

WHELEN®

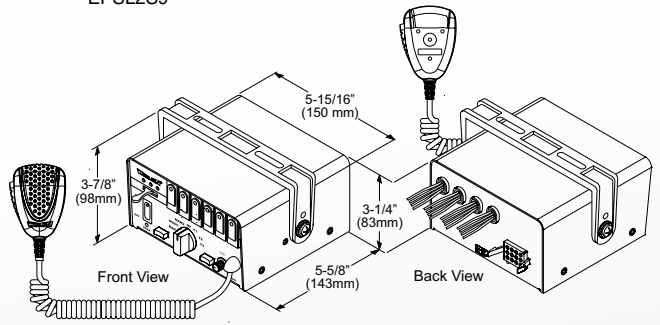
EPSILON™ SIREN SERIES

DIMENSIONS

EPSSL1



EPSSL2S6 & EPSSL2S9



MODELS

- EPSSL1 100 watt amplifier
- EPSSL2S6 200 watt amplifier with 6 On/Off toggle switches, operates up to two 100 watt speakers
- EPSSL2S9 200 watt amplifier with 4 position slide switch and 6 On/Off toggle switches, operates up to two 100 watt speakers

SIREN TONES

- Tone Off • Wail • Yelp • Airhorn • Hi/Low • Piercer
- Y249 • Manual Wail Coast to Stop • Manual Wail Stop

GENERAL DATA / SPECIFICATIONS

EPSSL1

- Input voltage 12.8 VDC ±20%
- Input current 8 Amps Max.
- Input fuse 10 AMPS
- Speaker impedance 11 OHMS Min.
- Operating temperature -30° C. TO +60° C.
- Storage temperature -40° C. TO +70° C.
- Humidity 99% (Non Condensing)
- Output voltage @ 15 VDC @ 11 OHMS 34 V RMS Max.
- Output power @ 15 VDC @ 11 OHMS 105 Watts Max.

EPSSL2S6/EPSSL2S9

- Input voltage 12.8 VDC ±20%
- Input current @ 15 VDC @ 5.5 OHMS 16 Amps Max.
- Input fuse 20 AMPS
- Speaker impedance 5.5 OHMS Min.
- Operating temperature -30° C. TO +60° C.
- Storage temperature -40° C. TO +70° C.
- Humidity 99% (Non Condensing)
- Output voltage @ 15 VDC @ 11 OHMS 34 V RMS Max.
- Output power @ 15 VDC @ 11 OHMS 105 Watts Max.
- Lighting switches 20 Amps Max.
- Weight 2 lbs. 11 oz.

EPSSL2S9 only

- 4 Position Programmable Slide Switch Controls 3 relays so all three active positions can activate any combination of the relay outlets 10 AWG red wire relay input connection
- Relay Outlets 20 Amps max / 50 Amps combined max



Whelen Engineering reserves the right to upgrade and improve products without notice.
© 2013 Whelen Engineering Company, Inc. Printed in U.S.A.
Code No. 12233D - 0113

WHELEN®

ENGINEERING COMPANY, INC.

51 Winthrop Road
Chester, Connecticut 06412-0684
(860) 526-9504 • Fax: (860) 526-4078
www.whelen.com

American Employees, American Manufacturing, American Pride!