

Howler™

LOW FREQUENCY SIREN & SPEAKER SYSTEM

An added layer of warning for intersections and high risk areas when used with your 100/200 watt siren amplifier. Howler provides deep, low frequency tones, which penetrate other vehicles, alerting drivers and pedestrians of your approach.

Howler is not a replacement to the vehicle's primary siren; Howler adds a minimum eight second penetrating burst of low frequency siren sound for use in heavy traffic, intersections or other high ambient noise conditions.



FEATURES

- The Howler is an add-on to any 100-200 watt warning siren such as the Whelen 295SL Series. Works with most Siren Amplifiers.
- Includes two speakers for use with Howler amplifier only.
- Works with any sweeping tone, plus Hi/Low and electronic mechanical tone generated by the primary siren.
- The Howler low-frequency tones synchronize with your primary siren tones to penetrate high noise, traffic situations.
- The Howler amplifier module uses the primary siren speaker output wires and divides the frequency to one of three frequency bands via dip switch. Selections are 1/4 tone, 1/2 tone or a composite of 1/4 and 1/2 tones.
- Lower frequency reverberating tones are able to penetrate vehicles, alerting drivers to your oncoming emergency vehicle.
- Built-in timer limits overexposure time, however operators are advised to wear approved hearing protection.
- Two external cancel controls, standard. A positive or negative activation will cancel tone.
- Select tone duration and tone style via easy Scan-Lock™ feature and LED indicator (selection of 8 different tone durations: 8-60 seconds maximum).



WHELEN®

Howler Specifications

Selecting tone duration and style is easy. Three LEDs located on the rear of the Howler amplifier provide a visual indication of the currently selected tone style during the configuration process.

Using the Scan-Lock button, cycle through the three different tone styles. The currently selected style and tone can be identified by these LED indicators.

Select Tone Style Via LED Indicator

LEDS	LED1	LED2	LED3	TONE STYLE
● ○ ○	On	Off	Off	1/4 Primary siren tone frequency (default)
○ ● ○	Off	On	Off	1/2 Primary siren tone frequency
● ● ○	On	On	Off	1/4 & 1/2 Primary siren tone frequency

Select Tone Duration Via LED Indicator

LEDS	LED1	LED2	LED3	TONE DURATION
○ ○ ○	Off	Off	Off	7.5 Seconds (default)
● ○ ○	On	Off	Off	15 Seconds
○ ● ○	Off	On	Off	22.5 Seconds
● ● ○	On	On	Off	30 Seconds
○ ○ ●	Off	Off	On	37.5 Seconds
● ○ ●	On	Off	On	45 Seconds
○ ● ●	Off	On	On	52.5 Seconds
● ● ●	On	On	On	60 Seconds



Rear of Amplifier showing LED indicators

MODELS

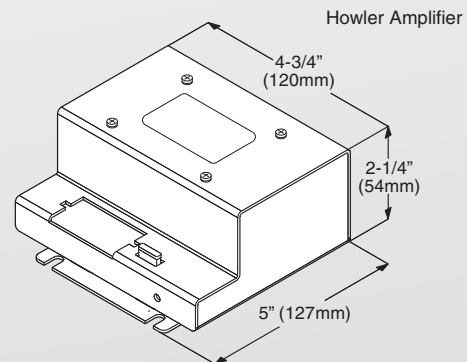
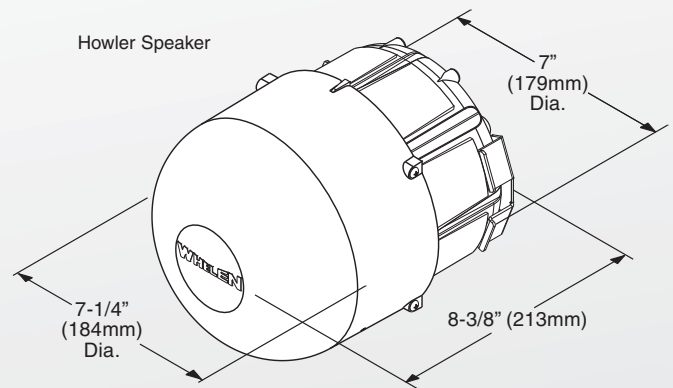
HOWLERSiren amplifier with two speakers

MOUNTING BRACKETS

- HWLRB1**Ford Crown Victoria, 2008-2011
- HWLRB2**Ford Expedition, 2008-2011
- HWLRB3**Ford F250-F550 Super-Duty, 2008-2010
- HWLRB4**Ford E-Series, 2008-2011
- HWLRB5**Chevy Suburban, 2008-2011 and Chevy Tahoe, 2008-2011
- HWLRB6**Dodge Charger, 2008-2010
- HWLRB7**Chevy Impala, 2008-2011
- HWLRB9**Chevy 2500/3500 Silverado, 2009-2011
- HWLRB11**Chevy Express G-Series, 2011
- HWLRB12**Ford F250-F550 Super-Duty, 2011
- HWLRB13**Ford Explorer, 2011, Driver Side Bracket
Includes Built-in Mounting for a SA315P Speaker
- HWLRB14**Dodge 4500, 2011
- HWLRB17**Ford Taurus, 2010-2011; Police Interceptor, 2013

SPECIFICATIONS

- Output, 16 amps @ 200 watts
- Speaker Weight: 8 lbs. (3.63kg)



WHELEN®

ENGINEERING COMPANY, INC.

51 Winthrop Road
Chester, Connecticut 06412-0684
(860) 526-9504 • Fax: (860) 526-4078
www.whelen.com

Whelen Engineering reserves the right to upgrade and improve products without notice.
© 2011 Whelen Engineering Company, Inc. Printed in U.S.A.
Code No. 12174E-1011