

PCCW Series

4, 6 and 10 LIGHT SWITCHING POWER CONTROL CENTERS

Four, six and ten switch control centers provide complete control in a fully assembled, low cost package.



FEATURES

- Compact design.
- Rocker-style single pole/single throw switches, rated at 25 amps peak, with 'active' LED indicators that light up to indicate function in use.
- Individual spade-type fuses conveniently located on rear mounted fuse strip.
- Ignition controlled backlight legend windows for easy visibility in any light.
- Backlight circuit can be connected to vehicle dimmer switch to control backlight intensity.
- 72 commonly used press-on switch function label legend tabs standard.
- Black epoxy-finished, steel housing.
- Common ground post for ease of installing.
- 12 VDC.

PCC6W and PCC10W Series only

- PCC6W has six 25 amp switches.
- PCC10W has ten 25 amp switches.
- PCC6W/PCC10W have "piano style" backs with rear mounted "captive" terminal block for easy installations.
- PCC6W1 and PCC10W1 models use one 10 amp momentary switch in the last position in place of the standard on/off switch.
- Aftermarket console mounting recommended but includes an adjustable 2 position universal bail bracket strap mounting kit for over or under dash mounting.
- Adjustable bracket overall heights: 3-3/8" (86mm) H (lower bracket position), 3-3/4" (96mm) H (higher bracket position).

PCC4W Series only

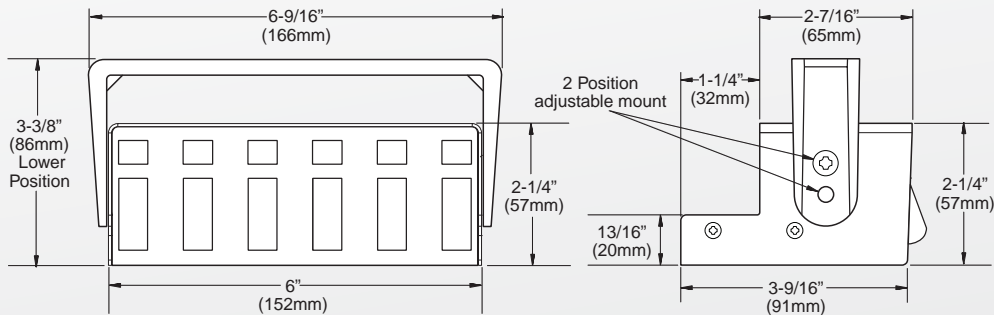
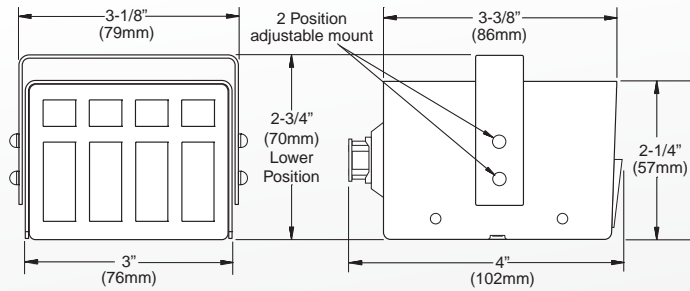
- Four 25 amp switches.
- Flying leads connection.
- Includes an adjustable 2 position universal bail bracket strap mounting kit for over or under dash mounting.
- Adjustable bail bracket overall heights: 2-3/4" (70mm) H (lower bracket position), 3-1/4" (83mm) H (higher bracket position).

WHELEN®

PCCW Series Power Control Centers

MODEL

PCC4WFour 25 amp switches.



MODEL

PCC6WSix 25 amp switches.

PCC6W1Similar to PCC6W, except last On/Off switch is replaced with a Momentary Switch.



MODEL

PCC10WTen 25 amp switches.

PCC10W1Similar to PCC10W, except last On/Off switch is replaced with a Momentary Switch.



Rear view showing the "captive" terminal blocks for easy installations and individual spade-type fuse strip.



Whelen Engineering reserves the right to upgrade and improve products without notice.
© 2012 Whelen Engineering Company, Inc. Printed in U.S.A.
Code No. 10831F - 1012

WHELEN[®]

ENGINEERING COMPANY, INC.

51 Winthrop Road
Chester, Connecticut 06412-0684
(860) 526-9504 • Fax: (860) 526-4078
www.whelen.com

American Employees, American Manufacturing, American Pride!