

Projector™ Series SA314 Speaker

COMPACT, MULTI-PORT 100 WATT RMS SIREN SPEAKER



SA314A,
cast aluminum
with natural finish

SA314B,
cast aluminum with
black epoxy coated finish

Now, with the Projector Series, you can get full size performance out of a truly slim and compact sized speaker.

The SA314 100 watt siren speaker installs easily and delivers traffic clearing warning where it's needed: down and in front of your vehicle.

Complies with OSHA 1910.95 guidelines regarding "Permissible Noise Exposure".



Form# S3141007

FEATURES

- Superior performance multi-port 100 watt speaker in a very small profile package, only 3-1/4" in depth.
- All weather, non-corrosive cast aluminum housing in natural or with black epoxy coated finish.
- Field replaceable driver and diaphragm.
- Exceeds California Title XIII, Class A and S.A.E. J1849 requirements with most 100 watt sirens (120-123dB @10'). Optimum performance assured when used with all Whelen high-power electronic sirens.
- Properly installed away from your vehicle's interior, this speaker complies with OSHA 1910.95 guidelines regarding "Permissible Noise Exposure."
- Easily installs to the radiator cross member in just a few minutes (without dismantling the front grille of the vehicle).
- Truer tone quality and wider/higher frequency response than speakers of comparable size.
- Polished flange castings for flat or contoured mounting.
- Options include universal mounting brackets, or vehicle specific brackets.
- Compact size is ideal for concealed installations in any type vehicle.
- Two year standard Whelen warranty.



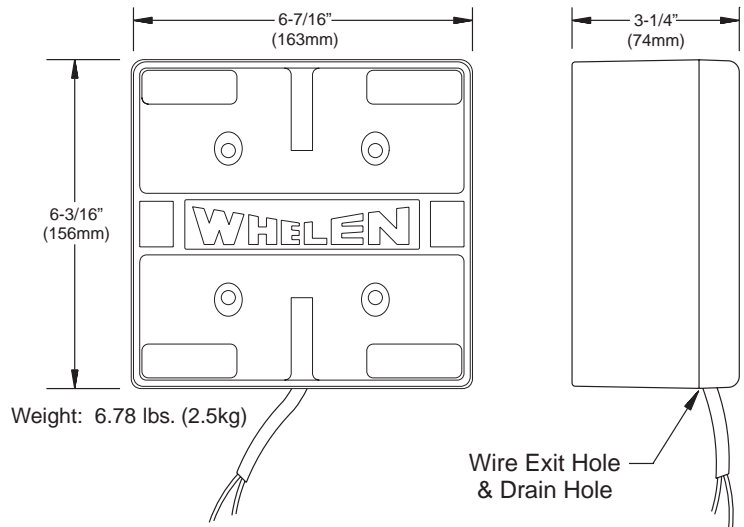
All Whelen Products
are Proudly
Designed & Manufactured
in the U.S.A.*

WHELEN®
Engineers for the Emergency Warning Industry

PROJECTOR SERIES SA314 MODELS

- SA314A**122 dB speaker, cast aluminum with natural finish.
- SA314B**122 dB speaker, cast aluminum with black epoxy coated finish.

DIMENSIONS



AVAILABLE MOUNTINGS

FLANGES

- SACSTFMP** Polished flange casting only for flat mounting
- SACSTCMP** Polished flange casting only for contoured bumper

UNIVERSAL MOUNTINGS

- SABKT9**Universal swivel bail type mount bracket
- SABKT19**Universal 4 tab mounting bracket

VEHICLE SPECIFIC BRACKETS

- SABKT1**Ford Explorer, 2002-2007,
Chevy Suburban/Tahoe, 2004-2006,
Dodge Charger, 2005-2007
- SABKT3**Chevy Impala (not police package), 2000-2006
- SABKT4**Ford Explorer 1995-2001,
Ford Expedition & F150, 1997-2006,
GMC Savannah, 2003-2006
- SABKT5**Chevy Suburban/Tahoe, 2000-2003,
Chevy Avalanche, 2002-2007,
GMC Envoy, 2004-2007
- SABKT7**Dodge Intrepid, 1998-2007
- SABKT10**Ford Excursion, 2002-2007
- SABKT11**Chevy Trail Blazer, 2002-2007
- SABKT13**Ford Expedition, 2003-2007
- SABKT14**Ford Taurus with ABS, 2002-2006
- SABKT16**Chevy Impala (police package), 2003-2005
- SABKT17**Quick installation for Ford Crown Victoria, 2003-2008
- SABKT18**Dodge Magnum, 2005-2007
- SABKT20**Ford Escape, 2004-2007
- SABKT21**Chevy Impala (non-police & police package), 2006-2007
- SABKT22**Ford 500, 2005-2007
- SABKT23**Ford Expedition, 2007
- SABKT24**Chevy Suburban/Tahoe, 2007
- SABKT25**Chevy Express Van, 2006-2007



SACSTFMP
Polished flange



SABKT9
Universal Swivel
bail mount

SABKT19
Universal
4 tab mount



SABKT1
Natural



SABKT3
Natural



SABKT4
Black

WHELEN[®]
ENGINEERING COMPANY, INC.

Route 145, Winthrop Road
Chester, Connecticut 06412-0684
(860) 526-9504 • Fax: (860) 526-4078
www.whelen.com



*Whelen Engineering
reserves the right to
upgrade and
improve products
without notice.*