

Wing Plow™ Tip Lighting

SUPER-LED® WARNING SYSTEM FOR SNOWPLOWS



Put an added measure of safety on your DOT warning system with Whelen's Super-LED snowplow wing tip lights.

For complete coverage, the two high-intensity Super-LED light system, provides high visibility warning in both the wing plow operating and stowed travel position.



WFLOW3A
Two light system for complete protection when plow is in operation or stowed



WFLOW2A with TIR3 lighthead for when plow is stowed in travel position

System shown with included cable

WFLOW1A with TIR3 lighthead for when plow is operating



WFLOWZ1A
LINZ6 lighthead for when plow is operating



WFLOWZ2A
LINZ6 lighthead for when plow is stowed in travel position

FEATURES

- Super effective Amber TIR3™ or LINZ6™ Super-LED light modules with individual built-in flashers.
- SAEJ595 & J845 Class 1 Certified.
- LINZ6 lighthead features six Linear Super-LEDs for superior light output.
- Each high impact Super-LED lighthead is fully encapsulated in a cast aluminum housing built to take rough working conditions.
- Fully encapsulated housing. Super-LED modules are vibration, water and salt/chemical resistant.
- System includes 20 feet of heavy-duty TPR cabling with built-in strain relief connectors which completes the weather, vibration and salt/chemical resistant package.
- 24 Scan-Lock™ flash patterns plus steady mode.
- 12 VDC.
- Five year HDP® Heavy-Duty Professional warranty.

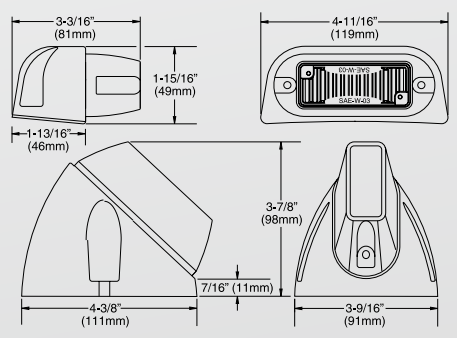
MODELS

TIR3 Lighthead Models

- WFLOW1A**.....For use when wing plow is operating.
- WFLOW2A**.....For use when wing plow is stowed for travel.
- WFLOW3AA**..Includes one WFLOW1A and one WFLOW2A for complete coverage.

LINZ6 Lighthead Models

- WFLOWZ1A** ..For use when wing plow is operating.
- WFLOWZ2A** ..For use when wing plow is stowed for travel.
- WFLOWZ3A** ..Includes one WFLOWZ1A and one WFLOWZ2A for complete coverage.



Whelen Engineering reserves the right to upgrade and improve products without notice.
© 2013 Whelen Engineering Company, Inc. Printed in U.S.A.
NASCAR® is a registered trademark of the National Association for Stock Car Auto Racing, Inc.
Code No. 11545C - 07/13



WHELEN®
ENGINEERING COMPANY, INC.

51 Winthrop Road
Chester, Connecticut 06412-0684
(860) 526-9504 • Fax: (860) 526-4078
www.whelen.com