

Model 70805 Series LED Tail Position Light



SPECIFICATIONS*

Lamp:

White LED (Light Emitting Diode)

Voltage:

28 VDC

Input Current:

0.3 Amps

Approx. Life:

20,000 Hours

Weight:

0.3 Lbs.

Model Number:

7080500

Part Numbers:

01-0770805-00

Whelen Aviation Division is proud to announce the introduction of Model 70805 Series LED Tail Position Light to its family of aviation safety lighting products.

The 70805 is designed as a high quality, long lasting, modern alternative to incandescent & halogen tail position lights. Also, the 70805 series offers significant technological upgrades over previous products. Utilizing LED (Light Emitting Diode) technology, Whelen is able to provide the following advantages compared to the existing incandescent and halogen light assemblies, to significantly **reduce operating costs**.

FEATURES

- **Lamp Life** - The LED light source has shown conservative lab life results greater than 20,000 hours
- **Reduced Power Consumption** - More efficient than alternative light sources
- **Light** - Produces bright white light
- **Shock & Vibration Resistant** - No fragile filament
- **Utilizes State-of-the-Art Surface Mount Technology**
- **No EMI or RFI Interference**
- **TSO-C30c TYPE III APPROVED!**
- **3 YEAR WARRANTY!**

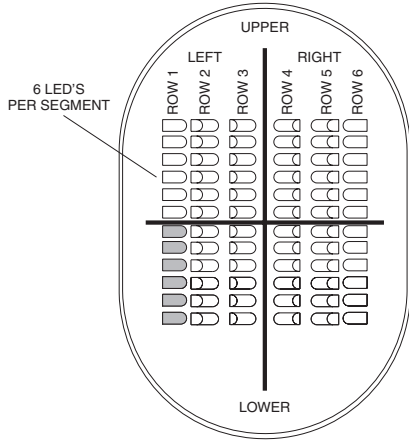
* For Custom Design Applications, Contact Factory.

WHELEN®

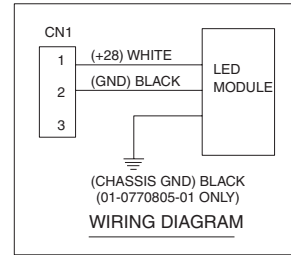
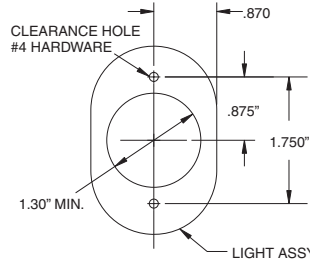
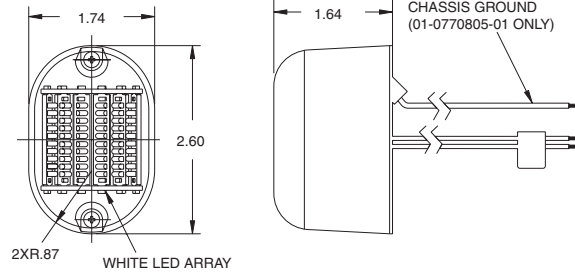
Route 145, Winthrop Road
Chester, CT 06412
(860) 526-9504 • Fax: (860) 526-2009
email: aviation@whelen.com
Website: www.whelen.com

© 2003 Whelen Engineering Company, Inc.
Whelen Engineering reserves the right to change and upgrade products without notice.
Printed in U.S.A. Code: 11182B-012103

NEW PRODUCT PREVIEW!

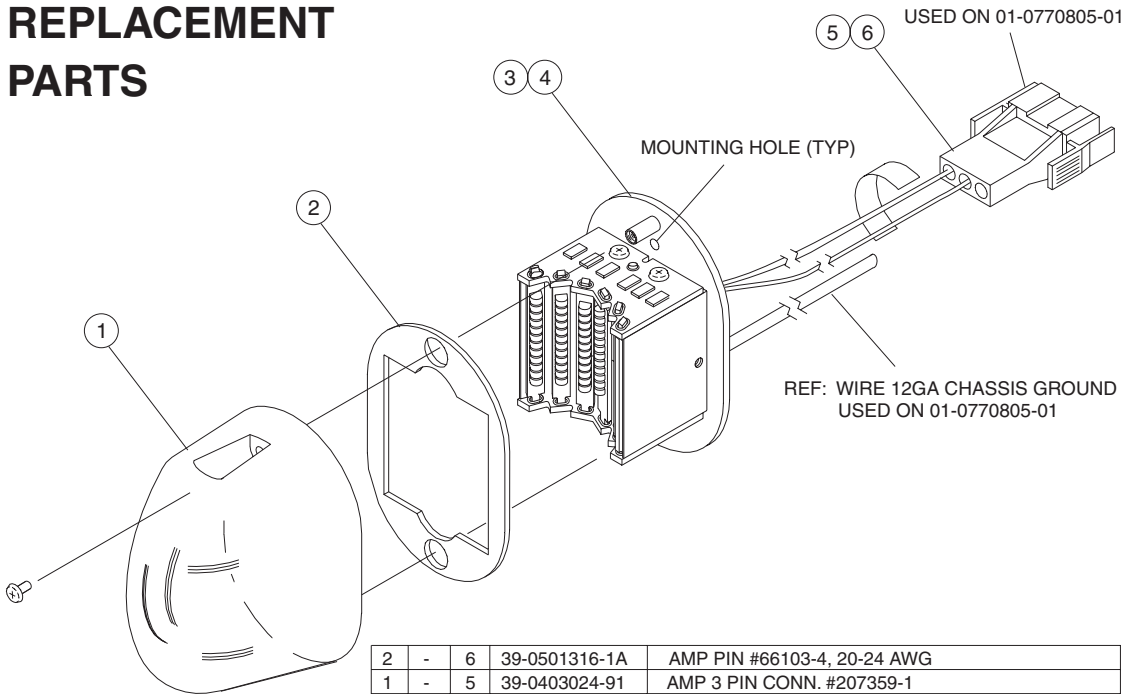


With 1 failed segment, assembly still meets TSO-C30c Type III light output requirements



RECOMMENDED MOUNTING HOLE PATTERN

REPLACEMENT PARTS



#4 - 40 X 5/16 PPHMS

QTY.	ITEM	PART NUMBER	DESCRIPTION
2	-	6 39-0501316-1A	AMP PIN #66103-4, 20-24 AWG
1	-	5 39-0403024-91	AMP 3 PIN CONN. #207359-1
-	1	4 01-0290252-00	LED/PCB MODULE ASSEMBLY
1	-	3 01-0290252-01	LED/PCB MODULE ASSEMBLY w/GROUND WIRE
1	1	2 39-0250795-00	GASKET, LENS
1	1	1 68-3970804A30	LENS, LED TAIL POSITION LIGHT



Route 145, Winthrop Road
 Chester, CT 06412
 (860) 526-9504 • Fax: (860) 526-2009
 email: aviation@whelen.com
 Website: www.whelen.com