

Model 70875 Series LED Forward Position Light



Whelen Aviation Division is proud to announce the introduction of Model 70875 Series LED Forward Position Lights to its family of aviation safety lighting products.

The 70875 is designed as a high quality, long lasting, modern alternative to incandescent & halogen forward position lights. Also, the 70875 series offers significant technological upgrades over previous products. Utilizing LED (Light Emitting Diode) technology, Whelen is able to provide the following advantages compared to the existing incandescent and halogen light assemblies, to significantly **reduce operating costs**.

FEATURES

- **Lamp Life** - The LED light source has shown conservative lab life results greater than 20,000 hours
- **Reduced Power Consumption** - More efficient than alternative light sources
- **Shock & Vibration Resistant** - No fragile filament
- **Utilizes State-of-the-Art Surface Mount Technology**
- **No EMI or RFI Interference**
- **FAA TSO-C30c TYPE I & II** - Approved
- **Hard Coated Clear Polycarbonate Lens**
- **Unit complies with color requirements per FAR Parts 23, 25, 27 and 29 for Aviation Red and Aviation Green**
- **Compatible with existing position light mounting & profiles**

SPECIFICATIONS*

Lamp:

LED (Light Emitting Diode)

Voltage:

28 VDC

Input Current:

0.35 Amps

LED Color:

Aviation Red

Aviation Green

Approx. Life:

20,000 Hours

Weight:

0.26 Lbs.

MODEL	PART NUMBER	DESCRIPTION
7087501	01-0770875-01	GREEN POSITION LIGHT (28V)
7087502	01-0770875-02	RED POSITION LIGHT (28V)

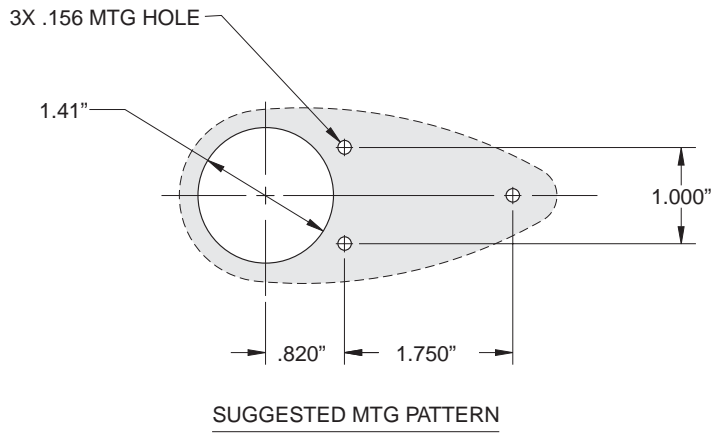
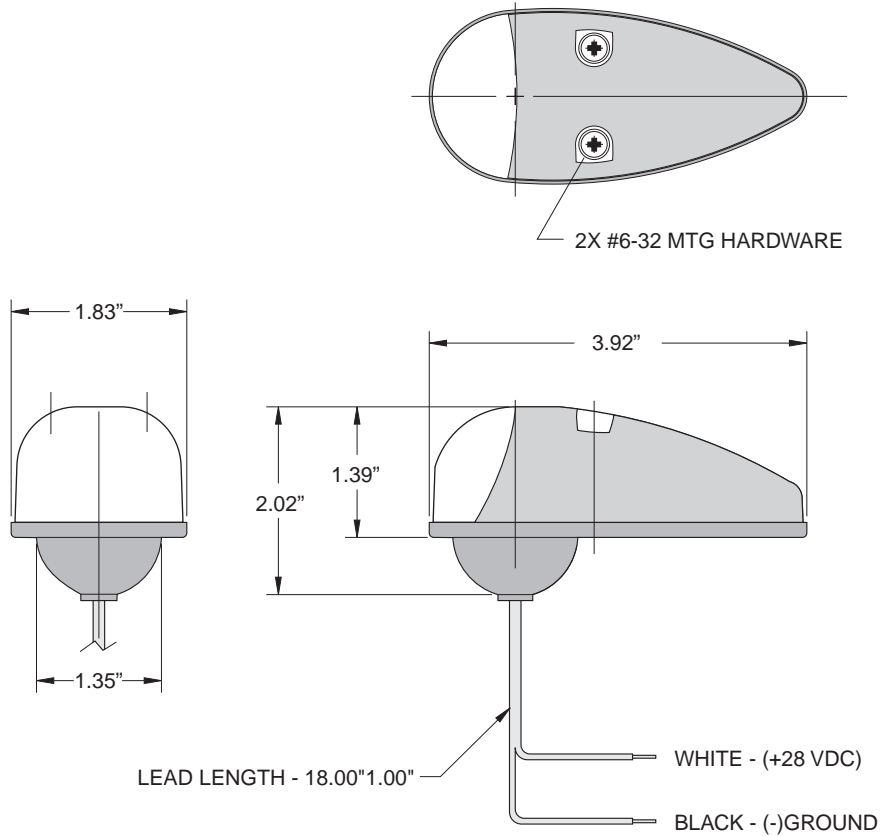
* For Custom Design Applications, Contact Factory.

WHELEN®

Route 145, Winthrop Road
Chester, CT 06412
(860) 526-9504 • Fax: (860) 526-2009
email: aviation@whelen.com
Website: www.whelen.com

© 2003 Whelen Engineering Company, Inc.
Whelen Engineering reserves the right to change and upgrade products without notice.
Printed in U.S.A. Code: 11283D-0707

NEW PRODUCT PREVIEW!



WHELEN[®]

Route 145, Winthrop Road
Chester, CT 06412
(860) 526-9504 • Fax: (860) 526-2009
email: aviation@whelen.com
Website: www.whelen.com

© 2003 Whelen Engineering Company, Inc.
Whelen Engineering reserves the right to change and upgrade products without notice.
Printed in U.S.A. Code: 11283D-0707