

# Model 90088 Series LED Anti-Collision Light



*Whelen Aviation Division is proud to announce the introduction of Model 90088 LED Anti-Collision Lights to its family of aviation safety lighting products.*

The 90088 is designed as a high quality, long lasting, modern alternative to existing anti-collision lights. Also, the 90088 offers significant technological upgrades over previous products. Utilizing LED (Light Emitting Diode) technology, Whelen is able to provide the following advantages which significantly **reduce operating costs**.

## FEATURES

- **Long Life** - The solid-state LED light source has shown conservative lab life results of greater than 20,000 hours
- **Vibration Resistant** - distinct benefits are:
  - a) The LED light source does not have a fragile filament like a lamp, or a gas filled glass envelope like a strobe flash tube
  - b) There are no heavy capacitors or transformers associated with strobe power supplies
- **RFI - No EMI or RFI Interference**
- **Lower Power** - Average current draw is 0.45 Amps @ 28V. No inrush current that is inherent with strobe power supplies and halogen flashers
- **Visibility** - The LED approach yields the "best of both worlds". Crisp on and off cycles compared to a halogen or oscillator, and longer on time compared to a strobe
- **Mounting** - Units will mount using existing mounting configuration without altering aircraft
- **FAA TSO-C96a Class III Approved**

## SPECIFICATIONS\*

### Lamp:

LED (Light Emitting Diode)

### Input Voltage:

28 VDC Nominal

### Input Current:

0.45 Amps Average

### LED Color:

**Aviation Red**

### Approx. Life:

20,000 Hours

### Weight:

1.8 Lbs. nom.

### Model Number:

90088( )

### Part Number:

01-0790088-( )

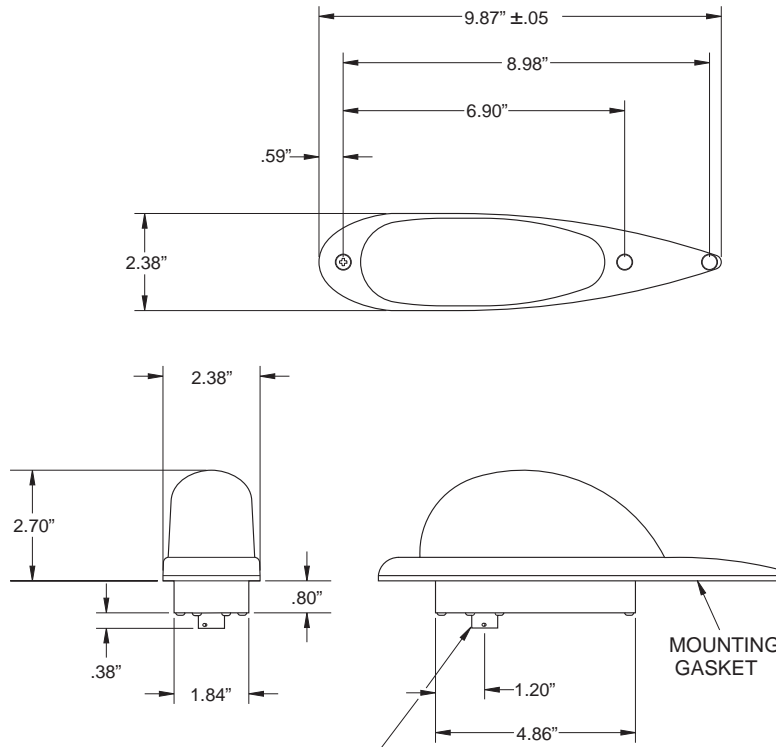
\* For Custom Design Applications, Contact Factory.

# WHELEN®

Route 145, Winthrop Road  
Chester, CT 06412  
(860) 526-9504 • Fax: (860) 526-2009  
aviation@whelen.com  
www.whelen.com

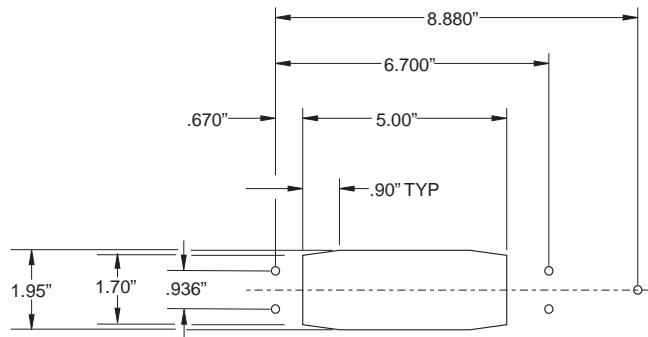


*Designed &  
Manufactured  
in the U.S.A.*



**INPUT**

RECEPTACLE - MS27508E10A-5P  
 POS A - +28VDC  
 POS B - GROUND  
 POS C -  
 POS D -  
 POS E



**SUGGESTED MOUNTING PLAN  
 (5) HOLE PATTERN**

**NOTES:**

1. Model 90088 Specifications:

**Input Voltage:** 28VDC Nominal  
**Input Current:** 0.45 Amps Average  
 2.7 Amps Peak @ .25 Seconds  
**Light source:** Light Emitting Diode (LED)  
**Color:** Red  
**Lens:** Clear Borosilicate (Tempered Glass).  
**Flashrate:** 45 ±5 Per Minute (Single Flash)  
**Weight:** 1.8 Lbs. Nominal.

2. Units comply with the following environmental test Requirements in accordance with RTCA/DO-160d:

**Temperature/Altitude:** Section 4, Category F2  
**Temperature Variation:** Section 5, Category A  
**Humidity:** Section 6, Category C  
**Operational Shock:** Section 7, Category A  
**Vibration:** Section 8, Category T, Curves E, E1, P  
**Waterproofness:** Section 10, Category S  
**Magnetics Effects:** Section 15, Category A  
**Power Input:** Section 16, Category B, Para. 16.5.2, 16.5.4  
**Voltage Spike:** Section 17, Category B  
**Audio Freq. Conducted Susceptibility:** Section 18, Category B  
**Induced Signal Susceptibility:** Section 19, Category A, Para. 19.3.1  
**Radiated and Conducted Susceptibility:** Section 20, Cat. T  
**Radiated and Conducted Emissions:** Section 21, Category H  
**Lightning:** Section 22, A1XX

**WHELEN®**

Route 145, Winthrop Road  
 Chester, CT 06412  
 (860) 526-9504 • Fax: (860) 526-2009  
 aviation@whelen.com  
 www.whelen.com



Designed &  
 Manufactured  
 in the U.S.A.