

WHELEN® 2906 Six Cells

Mass Notification Warning Product

Whelen's Mass Notification WPS2900 series omni-directional voice product delivers clear, powerful voice communication.

System Features

- **WPS2906** - Six Omni-Directional Speaker Cells Assembled in a Vertical Column
- Three Compartment (Type III) Natural Finish Aluminum Cabinet
- 125dBC @ 100'
- WPS2906 Speaker Cell Includes Six High Efficiency 400 Watt EZ-PULL™ Speaker Drivers
- 50' Cable Included
- Pole Top Mounting Bracket Included
- Public Address Capability
- Battery Powered, Minimum of 30 Minutes of Full Power Output with Batteries of our Recommendation
- AC Temperature Compensated 10 Amp Battery Charger
- Local Controls or Remote Controls
- Six Power Amplifiers
- Electronic Controller
- Tone Generator
- Timer
- Local Control Push Buttons
- Battery Switch
- SI TEST®
- Battery Tray
- Lightning Arrestor
- Six Standard Public Warning Tones - Wail, Whoop, Attack, Hi-Lo, Alert, Airhorn

System Options

- **SBC280** - Solar Power 1
- **WPSBATT** - Delco S2000 or Interstate Workaholic 31-MHD Batteries
- **WPSNCMIC** - Noise Canceling Microphone
- Alternate Tone Set
- **RDVM** - Digital Voice Message Capability 2

NOTES:

- 1 Solar power option includes 2 - 80 watt panels, mounting bracket and regulator
- 2 **RDVM** - 1-16 message capability with 240, 480 or 960 seconds available for recording

Activation Controls

Our VHF High and UHF Wide-Band activation control packages include the following:

- Radio
- Radio Interface
- Tone Squelch
- 2-3dB Gain Omni-Directional Antenna with Bracket
- 35' of RG58 Antenna Cable
- Polyphaser
- SI TEST®
- Low Battery Alarm (Two-Way only)

Other features are dependant upon one or two way controls. Whelen equipment can be interfaced with many different types of two-way radio communications products and systems including 800Mhz trunking, Motorola's MOSCAD, FSK, Narrow-Band and VHF Low Band. The following is available as standard options. Contact factory for special applications.

One-Way Controls

- **AUXIN** - Auxiliary Board for Contact Closure Activation
- **D2020LL** - 10 Digit DTMF Landline Activation
- **D2020H** - 10 Digit DTMF VHF High Band / 150-170 Mhz
- **D2020U** - 10 Digit DTMF UHF / 450-470 Mhz
- **WPSTT** - Two-Tone Sequential Option

Two-Way Controls

- **AUXCS** - Two-Way Contact Closure Activation and Status Board
- **C2020LL** - Two-Way Landline Activation
- **C2020H** - 10 Digit DTMF VHF High Band / 150-170 Mhz
- **C2020U** - 10 Digit DTMF UHF / 450-470 Mhz
- **C2020NH** - 10 Digit DTMF VHF High Band Narrow-Band
- **C2020NU** - 10 Digit DTMF UHF Narrow-Band

Options:

- **FSKXMOD** - Converts the Above Activation Controls to FSK Format
- **STATUS** - Cabinet Window LED Status Indicator
- **PGINT** - Paging Interface to Interface Whelen Tones with Existing Paging Systems
- **INTRU** - Intrusion Alarm (available with two-way only)

Type III
Electronic
Cabinet

WHELEN



WHELEN[®] 2906 Specifications

Component	Height Inches (CM)	Width Inches (CM)	Depth Inches (CM)	Weight Lbs. (KG)
WPS2906 SPEAKER	82.9 (210.6)	33.4 (84.8)	—	362 (164.2)
ELECTRONICS CABINET WPS2906 TYPE II	57.5 (146)	30.0 (76)	14.0 (35.5)	152 (69)
ELECTRONICS CABINET WPS2906 TYPE III	69.5 (176.5)	30.0 (76)	14.0 (35.5)	192 (87.1)
POLE TOP BRACKET	30.5 (77)	12.0 (30.5)	See Drawing	71 (32)

Electrical

- **Battery Charger Input:** 120VAC, 60Hz, 7A Fuse (240 VAC 50/60 Hz available)
- **Battery Charger Output:** 28VDC, 10A (NOMINAL)
- **Batteries:** (4) 12V, 115AH Lead Calcium
- **Standby Current:** 135mA, 24VDC
- **Operating Current:** 133A, 24VDC
- **Power Amplifier Output Power:** **Tone:** 2400 Watts
Voice: 3000 Watts

Environmental

- **Operating Temperature:** -35°C to +60°C
- **Storage Temperature:** -65°C to +125°C
- **Humidity, Non Condensing:** 0 to 95%

Ordering Information

BASIC SYSTEM INCLUDES ALL OF THE FOLLOWING:

- **WPS2906** - Speaker Assembly & Electronics Cabinet
- OPTIONS:**
- **RDVM** - Remote Station Digital Voice ¹
- **AUXIN** - Auxiliary Board for Contact Closure Activation
- **AUXCS** - Auxiliary / Status Control Board for Contact Closure Activation and Status
- **D2020LL, D2020H, D2020U** - One-Way Radio Control ²
- **C2020LL, C2020H, C2020U** - Two-Way Radio Control / Status Monitoring, COMM/STAT™ ²
- **C2020NH, C2020NU** - Two-Way Radio Control / Status Monitoring, COMM/STAT™ ²
- **WPSTT** - Two-Tone Sequential
- **FSKXMOD** - FSK Format
- **STATUS** - Cabinet Window LED Status Indicator
- **PGINT** - Paging Interface to Interface Whelen Tones with Existing Paging Systems
- **INTRU** - Intrusion Alarm
- **SBC280** - Solar Power ³

NOTES:

- RDVM** - 1-16 message capability with 240, 480 or 960 seconds available for recording
- 10 digit DTMF Controls • Landline • VHF High Band / 150-170 Mhz • UHF / 450-470 Mhz
Our VHF High and UHF activation control packages include tone squelch, radio, radio interface, 2-3dB gain omni-directional antenna with bracket, 35' of RG58 antenna cable and polyphaser
- Solar power option includes 2 - 80 watt panels, mounting bracket and regulator

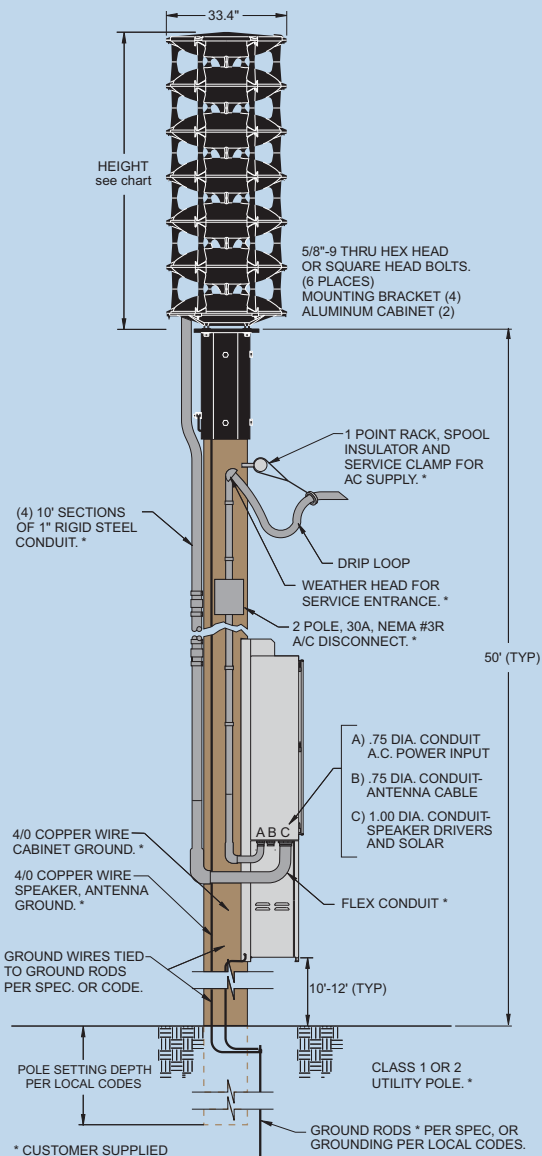
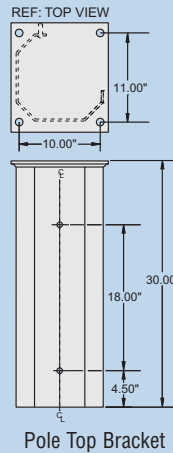
Acoustic Performance

SPL @ 100': 125dBc

Estimated 70dB range: 4,800'

Estimated 60dB range: 9,600'

Note: 100' performance levels listed represent repeatable results within +/-1dB to stated levels. Estimated 70dB perimeter is based on the Federal Emergency Management Agency's (FEMA) -10dB per distance doubled path model.



WHELEN[®]
ENGINEERING COMPANY, INC.
MASS NOTIFICATION PRODUCTS

51 Winthrop Road
Chester, Connecticut 06412-0684
(860) 526-9504
1-800-637-4736
Fax: (860) 526-4784
Internet: www.whelen.com
e-mail: iowsales@whelen.com

Whelen Engineering Company, Inc. reserves the right to upgrade its products with design improvements without notification.
© 2010 Whelen Engineering Company, Inc.
Printed in the U.S.A.
032210-11689D