

# VORTEXR4™

**WHELEN®**  
MANUFACTURED IN AMERICA

## Outdoor All Hazards Rotating Warning Siren

*Whelen's VORTEXR4 Series All Hazard High Power Sirens provide an economical alternative for powerful siren communication without compromising quality.*

### SYSTEM FEATURES

- **VORTEXR4** - speaker with four active speaker cells
- Two-compartment (Type I) natural finish aluminum cabinet
- Speaker includes four high efficiency 400 watt speaker drivers
- 50' cable included
- Battery powered. Minimum of 15 minutes of full power output with batteries of our recommendation
- AC temperature compensated 5 amp battery charger
- Local controls or remote controls
- Four tone-only power amplifiers
- Gear driven rotor
- Electronic siren controller
- Tone generator
- Timer
- Local control push-buttons
- Rotor relay control
- **SI TEST®**
- Low battery alarm
- Battery tray
- Lightning arrestor
- Six standard public warning tones - Wail, Whoop, Attack, Hi-Lo, Alert, Airhorn

### SYSTEM OPTIONS

- **Solar option** – 2 each 80 watt panels, with brackets and solar regulator
- **Batteries** – 2 each Whelen approved batteries. Check Whelen's web site, [www.whelen.com](http://www.whelen.com), for other recommended batteries
- **Pole top bracket**

### SIREN ACTIVATION CONTROLS

Our VHF High and UHF siren activation control packages include the following:

- Radio
- Radio interface
- Tone squelch
- 2-3dB gain omni-directional antenna with bracket
- 35' of RG58 antenna cable
- Polyphaser
- SI TEST

Other features are dependant upon one or two-way controls. Whelen equipment can be interfaced with many different types of two-way radio communications products and systems. The following is offered as standard options. Contact factory for special applications.

The following is available as standard options. **BOLD BLUE** indicates the Whelen Model:

### ONE-WAY CONTROLS

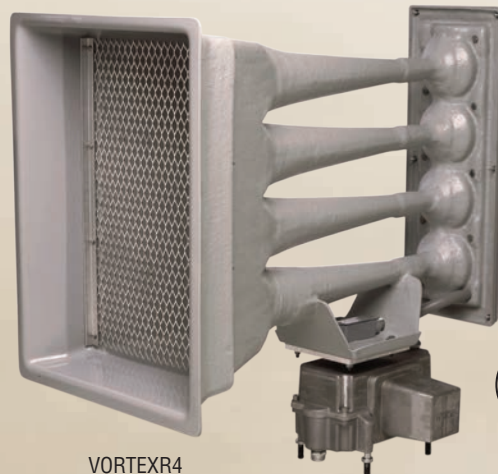
- **VAUXIN** - Auxiliary board for contact closure activation
- **VD2030LL** - 10 Digit DTMF landline activation
- **VD230NV** - 10 Digit DTMF VHF high band / 150-170 Mhz
- **VD230U** - 10 Digit DTMF UHF / 450-470 Mhz
- **VORTT** - Two tone sequential option

### TWO-WAY CONTROLS

- **VAUXCS** - Two-way contact closure activation and status board
- **VC2030LL** - Two-way landline activation
- **VC230NV** - 10 Digit DTMF VHF high band / 150-170 Mhz
- **VC230NU** - 10 Digit DTMF UHF / 450-470 Mhz

### OPTIONS

- **VFSKXMOD** - Converts the siren activation controls to FSK format
- **VSTATUS** - Cabinet window LED status indicator
- **VPGINT** - Paging interface to interface Whelen tones with existing paging systems
- **VINTRU** - Intrusion alarm (available with two-way only)



VORTEXR4  
Four cell speaker housing  
mounted on rotor.



TYPE I Electronic Cabinet

## Specifications

Component	Height Inches (CM)	Width Inches (CM)	Depth Inches (CM)	Weight Lbs. (KG)
VORTEXR4 Speaker & Rotor	49.0 (124.5)	28.5 (72.4)	56.0 (142.2)	234 (106.1)
Electronics Cabinet Type I	32.5 (82.6)	22.5 (57.2)	10.5 (26.7)	87 (39.5)*
Pole Top Bracket (Optional)	30.0 (76.2)	12.0 (30.5) x 13.5 (34.3)	10.0 (25.4)	71 (32.3)

Batteries add 90 lbs. Pallets, boxes and skids add weight. Check with Whelen if a freight quote is needed.

### Electrical

- **Battery Charger Input:** 120VAC, 60Hz, 7A fuse
  - **Battery Charger Output:** 28VDC, 5A #
  - **Batteries:** 2-12V, 60AH lead calcium (user supplied)
  - **Standby Current:** 70mA,
  - **Operating Current:** 88A, 24VDC
  - **Power Amplifier Output Power:** 1600 watts
- # U.L. Recognized Component

### Environmental

- **Operating Temperature:** -35C to +60C
- **Storage Temperature:** -65C to +125C
- **Humidity, Non Condensing:** 0 to 95%

### Ordering Information

#### BASIC SYSTEM INCLUDES ALL OF THE FOLLOWING

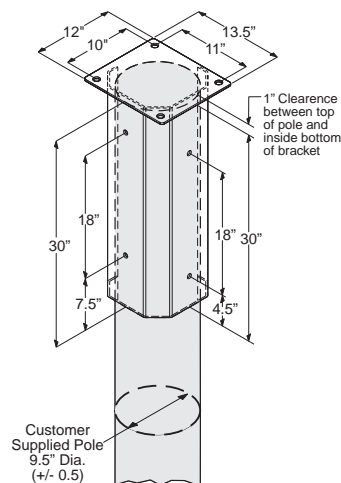
- **VORTEXR4** - Speaker Assembly & Electronics Cabinet

#### OPTIONS

- **VAUXIN** - Auxiliary board for contact closure activation
- **VAUXCS** - Auxiliary/Status control board for contact closure activation and status
- **VD2030LL, VD230NV, VD230NU** - One-way radio control ①
- **VC2030LL, VC230NV, VC230NU** - Two-way radio control/status monitoring, COMM/STAT™ ①
- **VORTT** - Two tone sequential
- **VFSKXMOD** - FSK format
- **VSTATUS** - Cabinet window LED status indicator
- **VPGINT** - Paging interface to interface Whelen tones with existing paging systems
- **VINTRU** - Intrusion alarm
- **VSBC80** - Solar power ②
- **VPTB** - Speaker pole top bracket
- **BSETVOR** - One pair of batteries

#### NOTES

- ① 10 digit DTMF Controls. • Landline • VHF High Band / 150-170 Mhz • UHF / 450-470 Mhz •  
Our VHF High and UHF siren activation control packages include tone squelch, radio, radio interface, 2-3dB gain omni-directional antenna with bracket, 35' of RG58 antenna cable and polyphaser.
- ② Solar power option include 2 - 80 watt panels, mounting bracket and regulator



Pole Top Bracket Mount Dimensions (Optional Model VPTB)

### MASS NOTIFICATION PRODUCTS

**Whelen Engineering Company, Inc.**  
51 Winthrop Road  
Chester, Connecticut 06412-0684  
860-526-9504  
800-637-4736  
www.whelen.com  
iowsales@whelen.com

Whelen Engineering Company, Inc. reserves the right to upgrade its products with design improvements without notification.  
© 2016 Whelen Engineering Company, Inc.  
Printed in the U.S.A.  
11358H-011816



*"Our Mass Notification Products Speak for Themselves"™*

### Acoustic Performance

**Wattage:** 1600 watts

**Estimated Range:** 6000 ft / 1828 m

Weather, terrain and other structures may impact the range. Each siren within the system may have a decreased or increased range depending on conditions beyond our control.