

VisuAlert™ Visual LED Warning



Omni-directional Visual Lighting for 2900 & OA Series

Enhance your Whelen Voice and Siren Mass Notification System with an optional visual component...VisuAlert!

With over half a century of emergency lighting experience and expertise, only Whelen Engineering could design a product with this performance and reliability.

FEATURES

- VisuAlert Super-LED® mounts under a WPS2900 or Omni-Alert system
- Complete 360° highly effective LED warning.
- VisuAlert illuminates with a designed flash pattern when siren is activated.
- Cluster of six LED Whelen M6 Series warning lighthoods, 24 VDC.
- All connections are waterproof.
- Weight: 26 Lbs. (11.79kg)
- All wiring is encased in protective sheathing, anchored to brackets to protect from damage.
- Available in Red, Blue, White (Clear) or Amber.
- Light source control module fully encapsulated and weatherproof.
- Light source control module provides flash pattern selection and light synchronization.
- Light source module covered by Whelen's two year warranty.
- Bracket supports are 300 Series stainless steel.
- VisuAlert can be adapted to older ESC2020-controlled Sirens.
- 1.2 amps per light source @ 24VDC.
- 2.5 amps total current draw when VisuAlert is operating.
- Light source is greater than 6000 peak candela.
- Includes 50' of 14 ga. 2/C cable.
- M6 Series lighthood dimensions: 4-5/16" (109mm) H x 6-3/4" (170mm) W x 1-3/8" (35mm) D.

MODEL

VALERT*: VisuAlert option for WPS2901-10 Series and OA1-4 Series Mass Notification Systems

* Denotes color Code:

A-Amber, B-Blue, C-Clear (white), R-Red.

MASS NOTIFICATION PRODUCTS

Whelen Engineering Company, Inc.

51 Winthrop Road
Chester, Connecticut 06412-0684
860-526-9504
800-637-4736
www.whelen.com
iowasales@whelen.com

Whelen Engineering Company, Inc. reserves the right to upgrade its products with design improvements without notification.
© 2018 Whelen Engineering Company, Inc.
Printed in the U.S.A.
12409E-021218

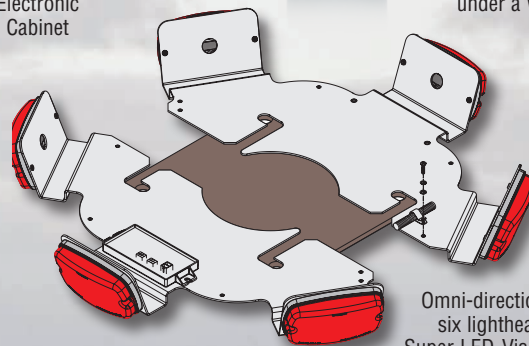


"Our Mass Notification Products Speak for Themselves"™

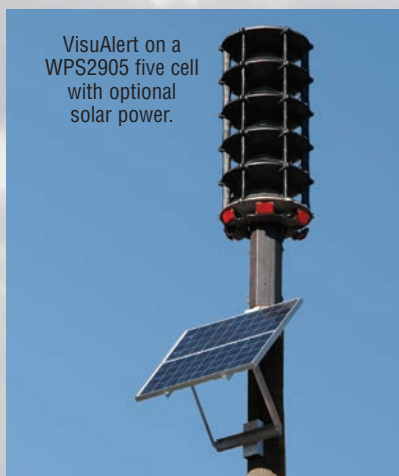


Type II Electronic Cabinet

VisuAlert shown mounted under a WPS2900



Omni-directional six lighthood Super-LED VisuAlert



VisuAlert on a WPS2905 five cell with optional solar power.