

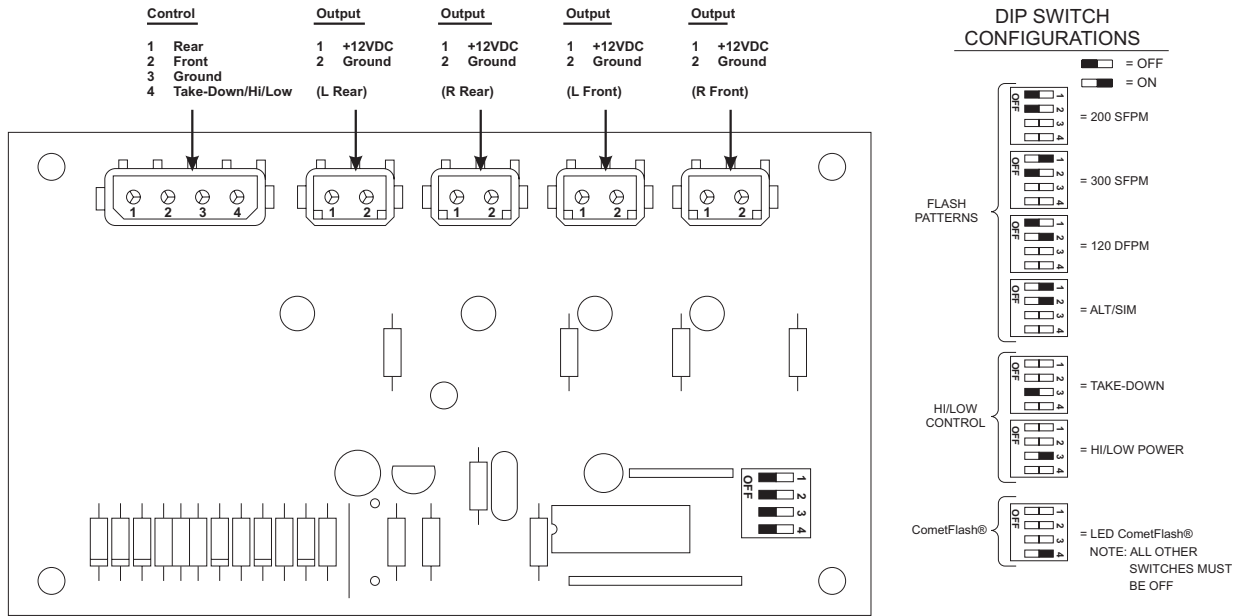
WHELEN®

ENGINEERING COMPANY INC.

51 Winthrop Road,
Chester, Connecticut 06412-0684
Phone: (860) 526-9504
Fax: (860) 526-4078

Internet: www.whelen.com
Sales e-mail: autosale@whelen.com
Canadian Sales e-mail: autocan@whelen.com
Customer Service e-mail: custserv@whelen.com

Installation Guide: Edge® Lightbar Flasher Board



©1999 Whelen Engineering Company Inc.
Form No.13501A (040301)

For warranty information regarding this product, visit www.whelen.com/warranty

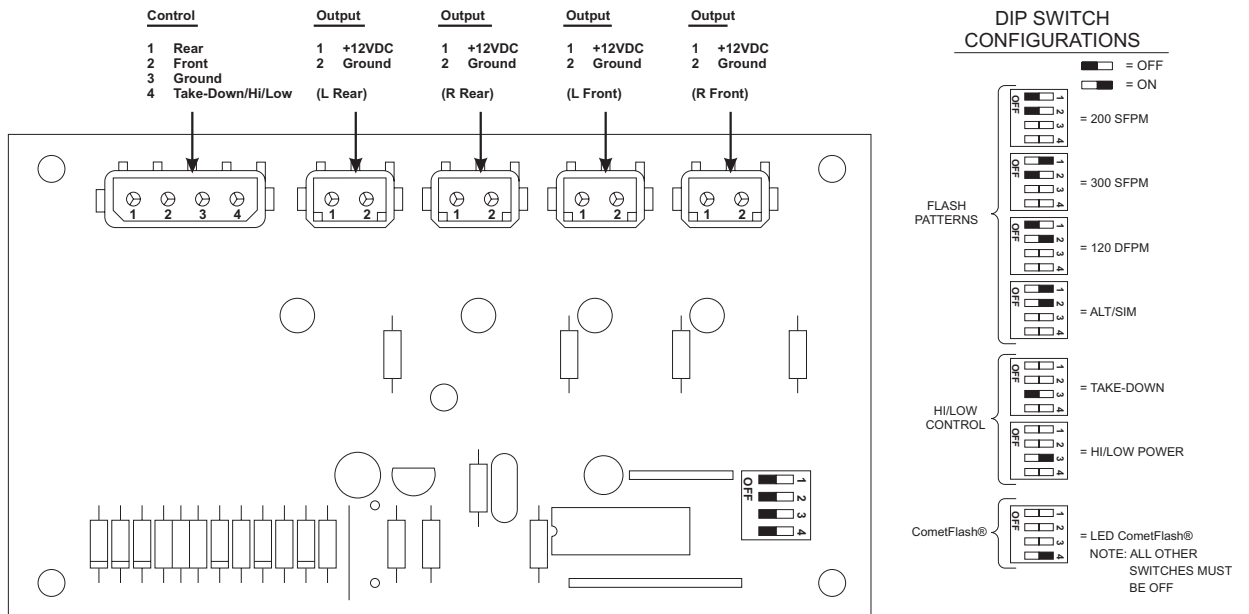
WHELEN®

ENGINEERING COMPANY INC.

51 Winthrop Road,
Chester, Connecticut 06412-0684
Phone: (860) 526-9504
Fax: (860) 526-4078

Internet: www.whelen.com
Sales e-mail: autosale@whelen.com
Canadian Sales e-mail: autocan@whelen.com
Customer Service e-mail: custserv@whelen.com

Installation Guide: Edge® Lightbar Flasher Board



©1999 Whelen Engineering Company Inc.
Form No.13501A (040301)

For warranty information regarding this product, visit www.whelen.com/warranty