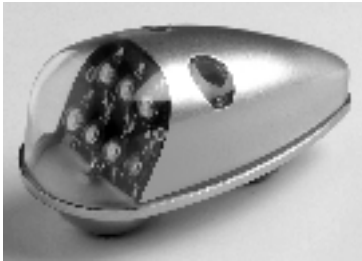


WHELEN®

ENGINEERING COMPANY INC.

Route 145, Winthrop Road,
 Chester, Connecticut 06412
 Phone: (860) 526-9504
 Fax: (860) 526-2009
 Internet: www.whelen.com
 Sales/Service e-mail: aviation@whelen.com

Installation Guide: Model 70875()-series Models 7087501,7087502,7087503,7087504 P/N: 01-0770875-01, -02, -03, -04 LED Forward Position Light Assembly



TSO-C30c
 TYPES I & II
 APPROVED



The conditions and tests required for TSO approval of this article are minimum performance standards. It is the responsibility of those installing this article either on or within a specific type or class of aircraft to determine that the aircraft installation conditions are within the TSO standards. TSO articles must have separate approval for installation in aircraft. The article may be installed only if performed under 14 CFR part 43 or the applicable airworthiness requirements.

OPERATING INSTRUCTIONS:

Operational Voltage:28 VDC

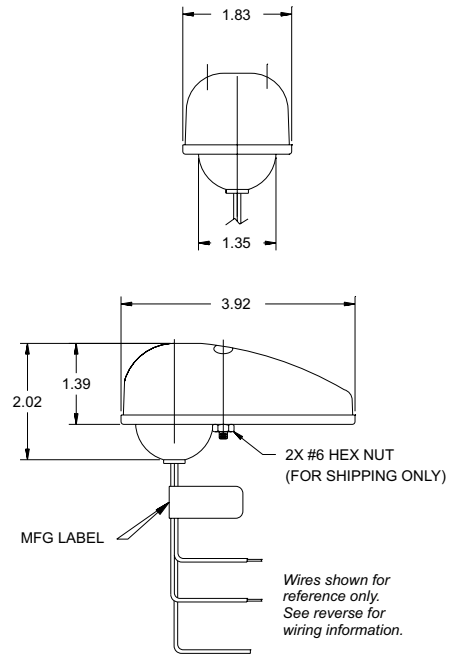
Average Input Current:0.35 Amps

EQUIPMENT LIMITATIONS: An approved forward position lighting system consists of two lights, one located on each wingtip, mounted at a minimum of 4" from the leading edge.

CONTINUED AIRWORTHINESS: The 70875 series LED wingtip position light assembly is designed with 7 LED's. If any one LED fails, the unit must be repaired or replaced.

INSTALLATION PROCEDURES: The following information is to assist in the installation of a Whelen LED Forward Position Light System.

1. Choose the appropriate 70875() series replacement light assembly.
2. The installation procedure described in the following text will be confined to a single light installation, but is identical for multiple light installations.
3. Remove the old light, locate and save the existing +28VDC lead and (-) ground lead. Clean and prep ends as required.
4. Make sure the existing system is equipped with an appropriate sized breaker. Connect the existing +28VDC lead to the 18 AWG wire on the input cable assembly (supplied with the light assembly). Connect the existing ground lead to the black 18 AWG wire on the input cable assembly. Both leads must be connected by an approved FAA connection. Insure that the wire leads and the pressure venting tube are all clear of any obstructions and ty-wrap as required. The pressure venting tube may be trimmed to a minimum length of 1" from the base.
5. Remove the two #6-32 x 1¼" screws and remove lens from the LED position light assembly. Retain the screws and discard the hex nuts.



6. Position the base of the new light assembly onto the mounting surface. Insert a #6-32 PPHMS from the previously installed assembly into the rear-most mounting hole and tighten firmly.
7. Secure the lens onto the base with the #6-32 x 1¼" screws referenced in step 5. Tighten these screws until lens bosses bottom on the LED module.
8. Check all avionics systems for interference from the installation.
9. A flight check should be performed by a properly certified pilot.
10. When necessary, waterproof the assembly to aircraft. Apply aviation approved single part silicone (RTV) or equivalent around any open area where water could get in.
11. Update aircraft records, complete Form 337 and obtain FAA field approval for installation.

Aviation

MODEL	PART NUMBER	DESCRIPTION
7087501	01-0770875-01	Forward Position Light (Green)
7087502	01-0770875-02	Forward Position Light (Red)
7087503	01-0770875-03	Forward Position Light (Green) w/shielded cable
7087504	01-0770875-04	Forward Position Light (Red) w/shielded cable

