

WHELEN[®]

ENGINEERING COMPANY INC.

51 Winthrop Road
 Chester, Connecticut 06412-0684
 Phone: (860) 526-9504
 Fax: (860) 526-2009
 Internet: www.whelen.com
 Sales/Service e-mail: aviation@whelen.com

Installation Guide: Model 90088()-series

Models 9008811, 9008812, 9008813,
 9008814, 9008815, 9008816
 P/N:01-0790088-11, 01-0790088-12,
 01-0790088-13, 01-0790088-14
 01-0790088-15, 01-0790088-16
LED Anti-Collision Light Assembly

TSO-C96a
 CLASS III;
 APPROVED



The conditions and tests required for TSO approval of this article are minimum performance standards. It is the responsibility of those installing this article either on or within a specific type or class of aircraft to determine that the aircraft installation conditions are within the TSO standards. TSO articles must have separate approval for installation in aircraft. The article may be installed only if performed under 14 CFR part 43 or the applicable airworthiness requirements.

OPERATING INSTRUCTIONS:

Operational Voltage:28 VDC
 (operation from 22-32 VDC)

Average Input Current:0.56 Amps

Pulse:3 Amps

Flashrate45± 5 FPM

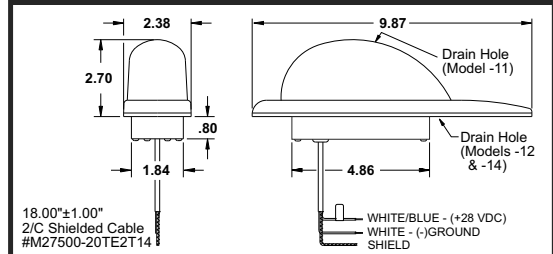
EQUIPMENT LIMITATIONS: An approved Anti-Collision light assembly should be located so that their light will not impair the crews vision or detract from the conspicuity of the position lights. The baseplate must be mounted parallel to the vertical and horizontal centerlines of the aircraft to project the patterns properly. Certain types of aircraft installations may require additional testing.

CONTINUED AIRWORTHINESS: Model 90088() LED anti-collision light assembly is designed with 2 banks of 7 LEDs each. Should any one LED or bank fail, the unit must be repaired or replaced. **NOTE:** To reduce eye strain use an optical filter such as dark glasses or a blue covering dome during LED inspection. Inspect the lens and replace if there is excessive scratches, pitting, discoloration or cracking.

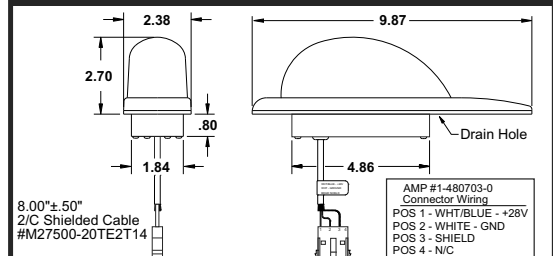
INSTALLATION PROCEDURES: The following information is to assist in the installation of a Whelen LED Anti-Collision light assembly.

1. Choose the appropriate light assembly. Lower mounts have a drain hole in the lens.
2. Using the mounting detail information provided, prepare the aircraft for means to secure the LED light assembly.
3. Connect the light inputs according to the chart shown. Connect the power lead to an appropriately sized breaker. Connections to be in accordance with FAA approved methods.
4. Carefully remove the screws and lens retainer. Remove the lens and gasket from the light assembly.
CAUTION: Do not touch the LED with either fingers or sharp objects as this could soil and/or damage the LED and affect the optical performance of the light.
5. Using the appropriate hardware install the baseplate gasket and light assembly to the aircraft. Ensure that all leads are clear of any obstructions and secured as required.
6. Reinstall gasket, lens and retainer. Confirm proper gasket fit. Reinsert screws and tighten firmly.
7. Check all avionics systems for interference from this installation.
8. A flight check should be performed by a properly certified pilot.
9. Update aircraft records, complete Form 337 and obtain FAA field approval for installation as necessary.

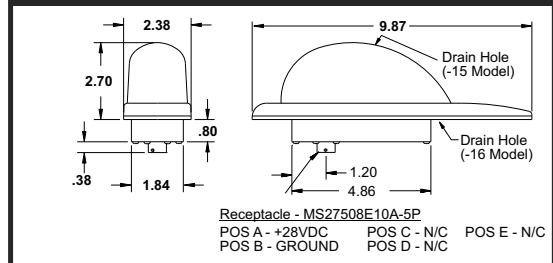
Model(s): 9008811, 9008812, 9008814



Model: 9008813

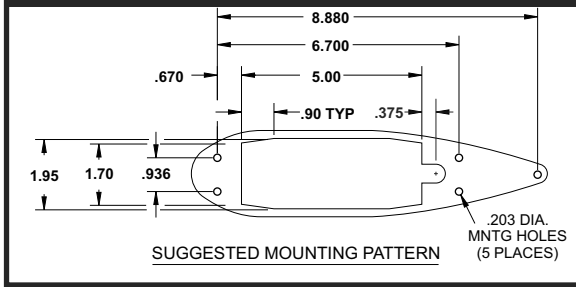


Model(s): 9008815, 9008816

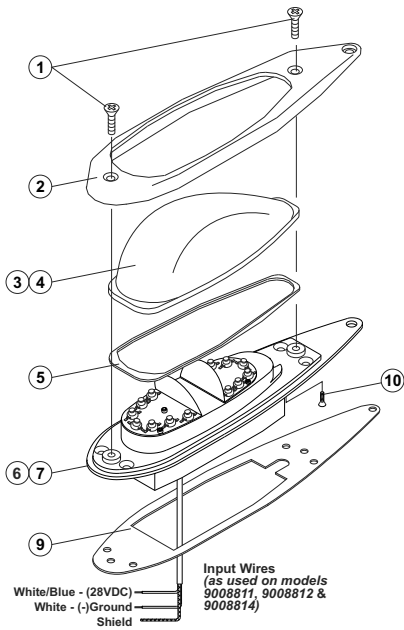


Aviation

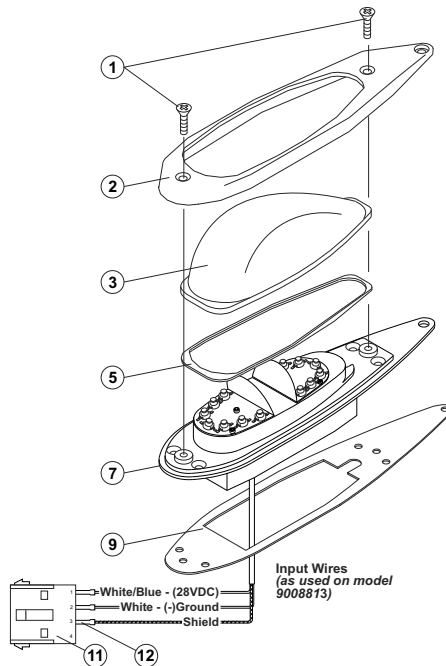
Suggested Mounting Pattern (All Models)



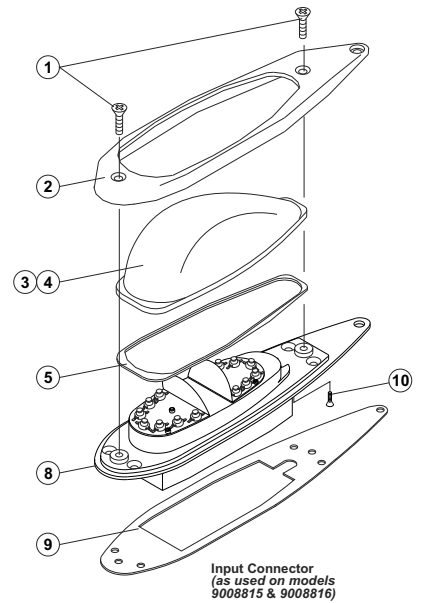
Models:
9008811, 9008812, 9008814



Model:
9008813



Models:
9008815, 9008816



QTY	QTY	QTY	QTY	QTY	QTY	QTY	ITEM	PART NUMBER	DESCRIPTION
						*		01-0790088-11	9008811 Final Assembly (Lower Mount)
						*		01-0790088-12	9008812 Final Assembly (Upper Mount)
						*		01-0790088-13	9008813 Final Assembly (Upper Mount)
		*						01-0790088-14	9008814 Final Assembly (Upper Mount)
		*						01-0790088-15	9008815 Final Assembly (Lower Mount)
*								01-0790088-16	9008816 Final Assembly (Upper Mount)
2	2	2	2	2	2	1			#10-32 X 1/2 Phillips FHMS
1	1	1	1	1	1	2		19-171019-00S	Lens Retainer - polished (w/seal)
1	-	1	1	1	-	3		68-4270579-30	Lens (clear)
-	1	-	-	-	1	4		68-4270579-31	Lens (w/drain hole (clear))
1	1	1	1	1	1	5		38-0270584-00	Lens Gasket
-	-	-	-	1	1	6		01-0271022-01	LED Assembly (90088-series)
-	-	1	1	-	-	7		01-0271022-02	LED Assembly (90088-series)
1	1	-	-	-	-	8		01-0271022-03	LED Assembly (90088-series)
1	1	1	1	1	1	9		38-0270864-00	Baseplate Gasket
-	1	-	-	-	1	10		14-0050509-15	Screw #4-40 X 3/8 PFH MS51959-15
-	-	-	1	-	-	11		39-0404014-14	4-Pos. Pin Housing (Mate-N-Lok)
-	-	-	3	-	-	12		39-0500315-18	Pin, 20-14 AWG, .084 (Mate-N-Lok)