

# WHELEN<sup>®</sup>

ENGINEERING COMPANY INC.

51 Winthrop Road  
Chester, Connecticut 06412-0684  
Phone: (800) 63SIREN  
Phone: (860) 526-9504  
Fax: (860) 526-4784  
Internet: [www.whelen.com](http://www.whelen.com)  
Sales e-mail: [iowsales@whelen.com](mailto:iowsales@whelen.com)  
Customer Service e-mail: [iowserv@whelen.com](mailto:iowserv@whelen.com)

**Mass Notification**

## **VISU-ALERT** **Warning Lights** Installation Guide

**For the OMNIALERT™ Series**

**ACTIVATION OF THIS  
SIREN MAY DAMAGE  
UNPROTECTED EARS!**



**Wear  
Protection!**

**CAUTION**

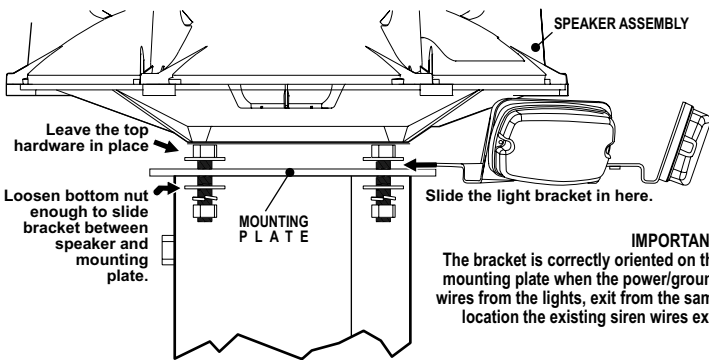
Loud siren noise can cause hearing damage and/or loss. Refer to OSHA Section 1910.95 prior to putting ANY siren into service!

**For warranty information regarding this product, visit [www.whelen.com/warranty](http://www.whelen.com/warranty)**

**Installation:**

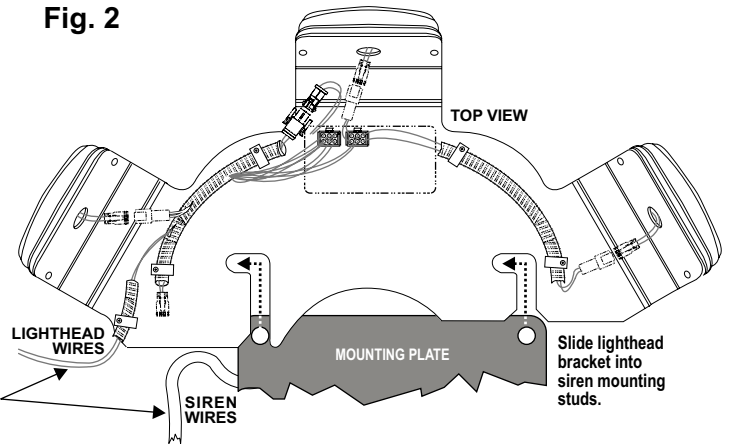
1. Loosen the mounting bolts under the mounting plate, below the speaker assembly, (Fig. 1). Do not loosen the leveling bolts above the mounting plate.

**Fig. 1**



2. Install the bracket with the power/ground wires first. Line the power/ground wires up with the existing siren wires. Slide the bracket into the space between the mounting plate and the speaker assembly. Push the bracket in and then over to lock it into place (Figs 1 & 2).
3. Re-tighten the bottom mounting hardware.

**Fig. 2**

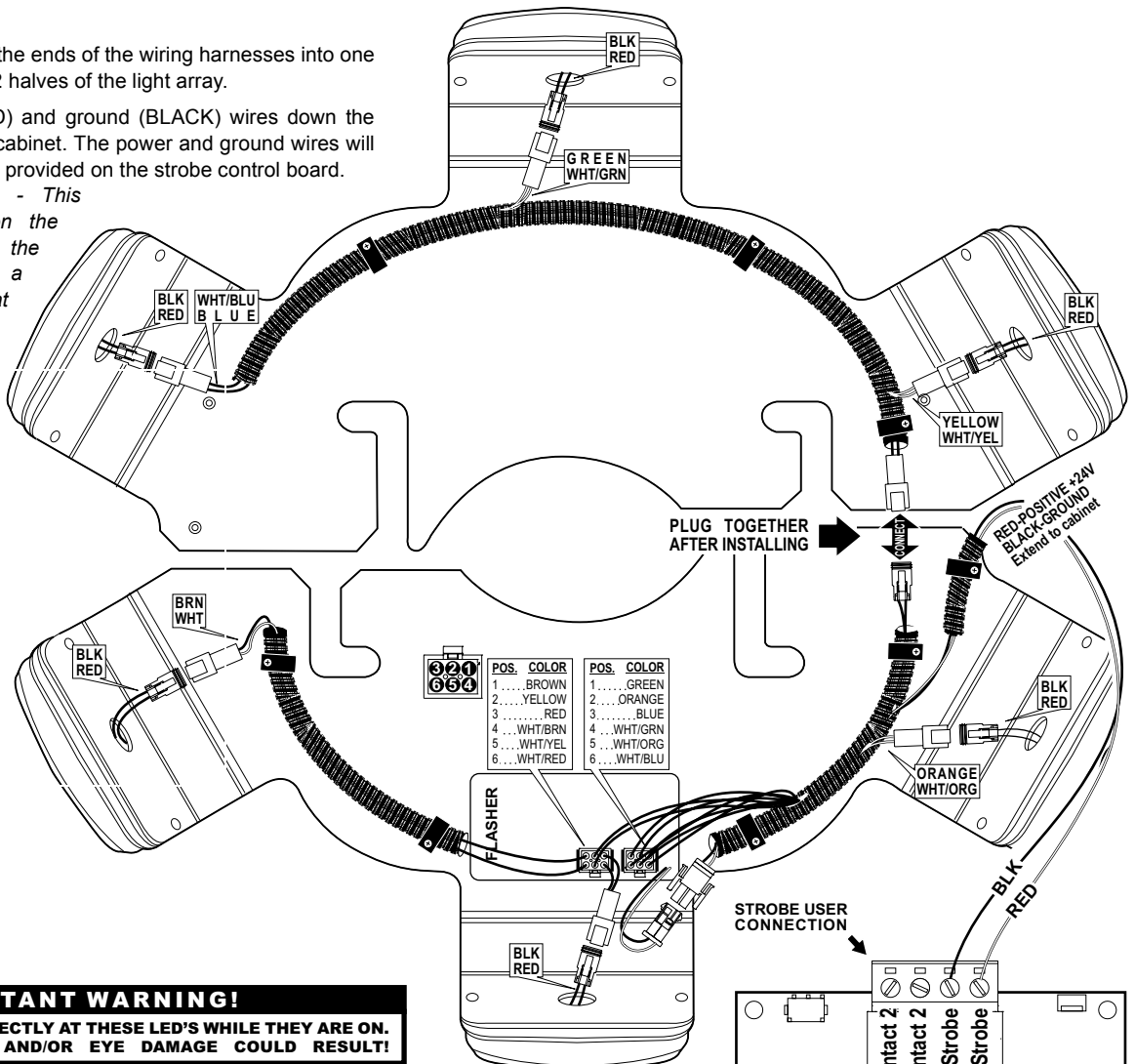


**Wiring:**

1. Plug the connectors on the ends of the wiring harnesses into one another to connect the 2 halves of the light array.
2. Extend the power (RED) and ground (BLACK) wires down the pole, to the electronics cabinet. The power and ground wires will connect to the terminals provided on the strobe control board.

*Strobe Control Board - This component (located on the rear inside wall of the electronics cabinet) is a user-defined device that controls a pole-mounted strobe light. This light can be configured to activate during specific conditions.*

**WARNING!** All customer supplied wires that connect to the positive terminal of the battery must be sized to supply at least 125% of the maximum operating current and **FUSED** at the battery to carry that load. **DO NOT USE CIRCUIT BREAKERS WITH THIS PRODUCT!**



**IMPORTANT WARNING!**  
CAUTION! DO NOT LOOK DIRECTLY AT THESE LED'S WHILE THEY ARE ON. MOMENTARY BLINDNESS AND/OR EYE DAMAGE COULD RESULT!

