



WHELEN AEROSPACE TECHNOLOGIES

Phone: (860) 526-9504
 Fax: (860) 526-2009
 Internet: www.flyWAT.com
 Sales/Service e-mail: info@flyWAT.com

Installation Guide/ICA:
Aviation model: 9046000
P/N: 01-0790460-00
4-Inch Taxi Light Assembly

SPECIFICATIONS:

Nominal Operational Voltage:28VDC
Input Current (Nominal):1.5 Amps

CONTINUED AIRWORTHINESS: The Taxi Light, Model 9046000, consists of two banks of seven LEDs, for a total of 14 LEDs. If one LED fails as a short, the other 13 will continue to operate. If an LED fails open, all seven LEDs in that bank will be off and the other bank will operate normally. There is no FAR requirement for this light. Inspect the lens. Replace if there is excessive scratching, pitting, discoloration or cracking.

For additional lens maintenance detail, see SAE ARP5637.

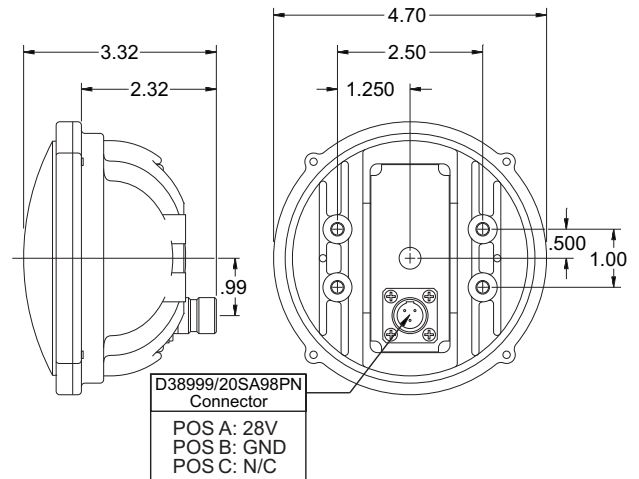
AIRWORTHINESS LIMITATIONS: The Airworthiness Limitations section is FAA approved and specifies inspections and other maintenance required under §43.16 and §91.403 of the Federal Aviation Regulations, unless an alternative program has been approved.

No airworthiness limitations are associated with the installation of the light assembly.

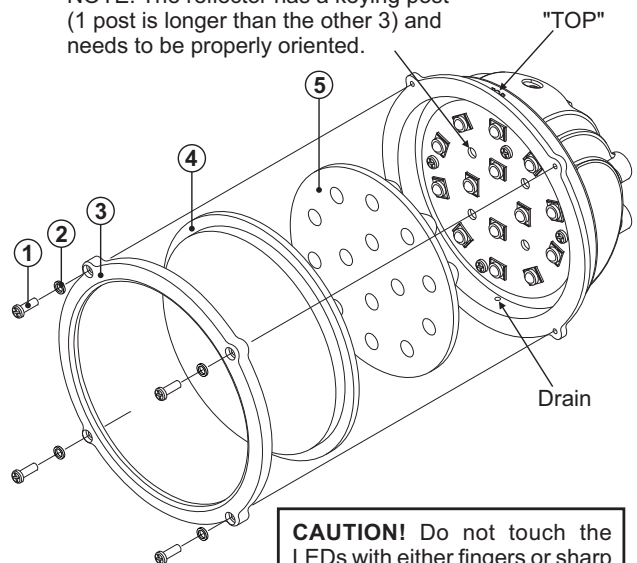
PERIODIC INSPECTIONS: An annual inspection shall be performed unless the OEM specifies a shorter interval.

INSTALLATION PROCEDURES: The following information is to assist in the installation of a Whelen LED Taxi Light.

1. Connect the taxi light inputs according to the chart shown. Connect the power lead to an appropriately sized breaker. Connections to be in accordance with FAA approved methods.
2. Using appropriate hardware, install light assembly and insure that all leads are clear of any obstructions and ty-rap as required. Secure light assembly, using vibration resistant threaded fasteners.
3. Check all avionics systems for interference from this installation.
4. A flight check should be performed by a properly certified pilot.
5. If required, update aircraft records utilizing FAA Field Approval (Form 337) or equivalent.



NOTE: The reflector has a keying post (1 post is longer than the other 3) and needs to be properly oriented.



CAUTION! Do not touch the LEDs with either fingers or sharp objects, as this could soil or damage the LEDs and effect the optical performance of the light.

QTY	ITEM	PART NUMBER	DESCRIPTION
*		01-0790460-00	MODEL 9046000 TAXI LIGHT
4	1	14-0050505-15	4-40 X 3/8" PPHMS MS51957-15
4	2	16-0050506135	#4 SPRING LOCK WASHER
1	3	19-171146-100	RETAINER, LENS
1	4	68-1181212A3S	LENS, CLEAR, SPREADER
1	5	68-5971090-01	REFLECTOR, TIR3 OPTIC

Aviation