



WHELEN AEROSPACE TECHNOLOGIES

Phone: (860) 526-9504  
 Fax: (860) 526-2009  
 Internet: www.flyWAT.com  
 Sales/Service e-mail: info@flyWAT.com

**Installation Guide/ICA:  
 Aviation model 7145702  
 P/N 01-0771457-02  
 Flasher/Current Source**

TSO-C30c  
 TYPES I, II & III  
 APPROVED

TSO-C96a  
 CLASS II  
 APPROVED

*The conditions and tests required for TSO approval of this article are minimum performance standards. Those installing this article either on or within a specific type or class of aircraft must determine that the aircraft installation conditions are within the TSO standards which include any accepted integrated non-TSO functions. TSO articles and any accepted integrated non-TSO function(s) must have separate approval for installation in an aircraft. The article may be installed only according to 14 CFR part 43 or the applicable airworthiness requirements.*

**SPECIFICATIONS:**

|  |                 |
|--|-----------------|
| Nominal Operational Voltage:               | 28 VDC          |
| (Operation from 22-32 VDC)                 |                 |
| Input Current (with 905690x Lighthouse):   |                 |
| LED Forward Position Light:                | 0.23 Amps       |
| LED Anti-Collision Light (Pulse@.25 Sec.): | 3.9 Amps        |
| LED Anti-Collision Light (Avg.):           | 0.73 Amps       |
| LED Infrared Light (Pulse@.25 Sec.):       | 0.3 Amps        |
| LED Infrared Light (Avg.):                 | 0.06 Amps       |
| Flashrate                                  | 45 ±5 Per. Min. |

**EQUIPMENT LIMITATIONS:** An approved Anti-Collision / Position Light System consists of at least 2 flasher/current source units, each connected to a LED anti-collision, position and infrared light lighthouse.

Per FAR 23.1401(d) or 25.1401(d), do not operate the anti-collision light and the infrared light at the same time.

The infrared light is a non-TSO function.

Certain types of installations may require additional testing.

**AIRWORTHINESS LIMITATIONS:** The Airworthiness Limitations section is FAA approved and specifies inspections and other maintenance required under §43.16 and §91.403 of the Federal Aviation Regulations, unless an alternative program has been approved.

No airworthiness limitations are associated with the installation of the flasher/current source.

**CONTINUED AIRWORTHINESS:** If any bank of LEDs fail, the lighthouse module should be checked. If the module checks good, replace the flasher.

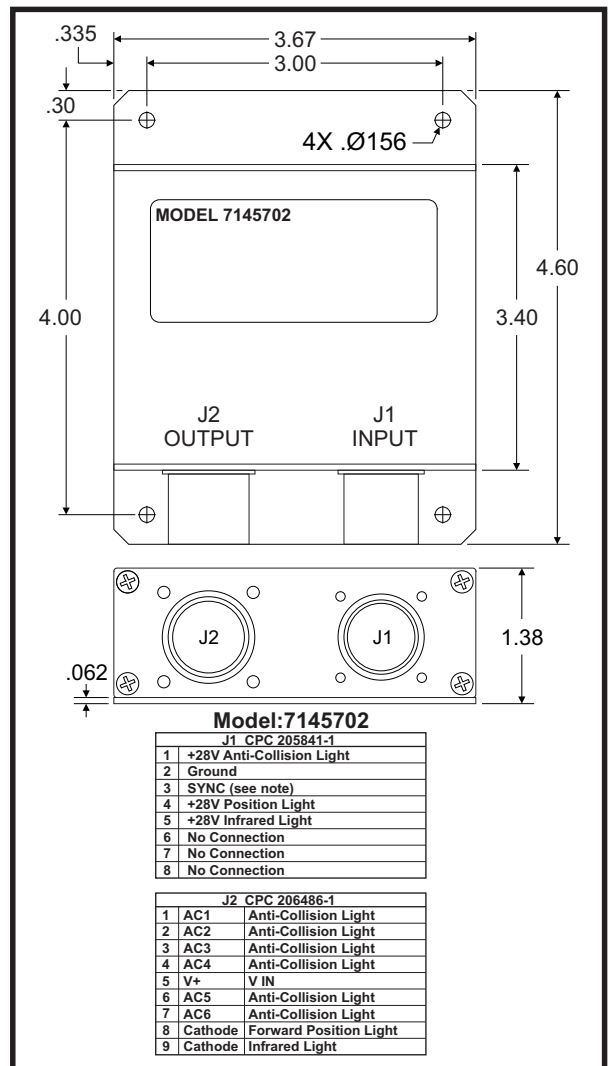
Note: to reduce eye strain, use an optical filter such as dark glasses or a blue covering dome during LED inspection.

Note: An anti-collision light will automatically shut-off after 9-10 flashes if a failure is detected.

**INSTALLATION PROCEDURES:**

1. Consider areas or locations designated by the aircraft manufacturer. Check that breakers are properly rated.
2. Attach the flasher using the (4) 0.156 dia. mounting holes.
3. Connect the inputs according to the chart shown. Connections to be in accordance with FAA approved methods.
4. Check all avionic systems for interference from the installation.
5. A flight check should be performed by a certified pilot.
6. If required, update aircraft records utilizing FAA Field Approval (Form 337) or equivalent.

Note: SYNC is a low power, bi-directional control signal. Connecting to the synchronize signal of any WAT LED anti-collision assembly will cause the lights to flash at the same time. If synchronization is not necessary, the connection may be left open.



**Aviation**