

51 Winthrop Road
Chester, Connecticut 06412-0684
Phone: (860) 526-9504
Sales Email:autosale@whelen.com
Canadian Sales:canadiansales@whelen.com
Customer Service:custserv@whelen.com

Safety First: This document provides all the necessary information to allow your Whelen product to be properly and safely installed. Before beginning the installation and/or operation of your new product, the installation technician and operator must read this manual completely. Important information is contained herein that could prevent serious injury or damage.

- Proper installation of this product requires the installer to have a good understanding of automotive electronics, systems and procedures.
- Whelen Engineering requires the use of waterproof butt splices and/or connectors if that connector could be exposed to moisture.
- Any holes, either created or utilized by this product, should be made both air- and watertight using a sealant recommended by your vehicle manufacturer.
- Failure to use specified installation parts and/or hardware will void the product warranty!
- If mounting this product requires drilling holes, the installer **MUST** be sure that no vehicle components or other vital parts could be damaged by the drilling process. Check both sides of the mounting surface before drilling begins. Also de-burr any holes and remove any metal shards or remnants. Install grommets into all wire passage holes.
- Do not install this product or route any wires in the deployment area of your air bag. Equipment mounted or located in the air bag deployment area will damage or reduce the effectiveness of the air bag, or become a projectile that could cause serious personal injury or death. Refer to your vehicle owner's manual for the air bag deployment area. The User/Installer assumes full responsibility to determine proper mounting location, based on providing ultimate safety to all passengers inside the vehicle.
- For this product to operate at optimum efficiency, a good electrical connection to chassis ground must be made. The recommended procedure requires the product ground wire to be connected directly to the **NEGATIVE (-)** battery post.
- If this product uses a remote device to activate or control this product, make sure that this control is located in an area that allows both the vehicle and the control to be operated safely in any driving condition.
- Do not attempt to activate or control this device in a hazardous driving situation.
- This product contains either strobe light(s), halogen light(s), high-intensity LEDs or a combination of these lights. Do not stare directly into these lights. Momentary blindness and/or eye damage could result.
- Use only soap and water to clean the outer lens. Use of other chemicals could result in premature lens cracking (crazing) and discoloration. Lenses in this condition have significantly reduced effectiveness and should be replaced immediately. Inspect and operate this product regularly to confirm its proper operation and mounting condition. Do not use a pressure washer to clean this product.
- **WARNING!** All customer supplied wires that connect to the positive (+) terminal of the battery must be sized to supply at least 125% of the maximum operating current and **FUSED** "at the battery" to carry that load. **DO NOT USE CIRCUIT BREAKERS WITH THIS PRODUCT!**
- **FAILURE TO FOLLOW THESE PRECAUTIONS AND INSTRUCTIONS COULD RESULT IN DAMAGE TO THE PRODUCT OR VEHICLE AND/OR SERIOUS INJURY TO YOU AND YOUR PASSENGERS!**

For flange mounting you may choose from 3 types of flange; a 2.9" or 3.5" flat flange (kit# TADAPTb) or a raised flush mount flange (kit# TFLANGEC or TFLANGEB). For grommet mounting you may choose from 2 styles; a 2" grommet the lighthead fits directly into (TGROM2) or the plastic adapter included in kit# TADAPTb to adapt the lighthead to fit a customer supplied 2.5" grommet.

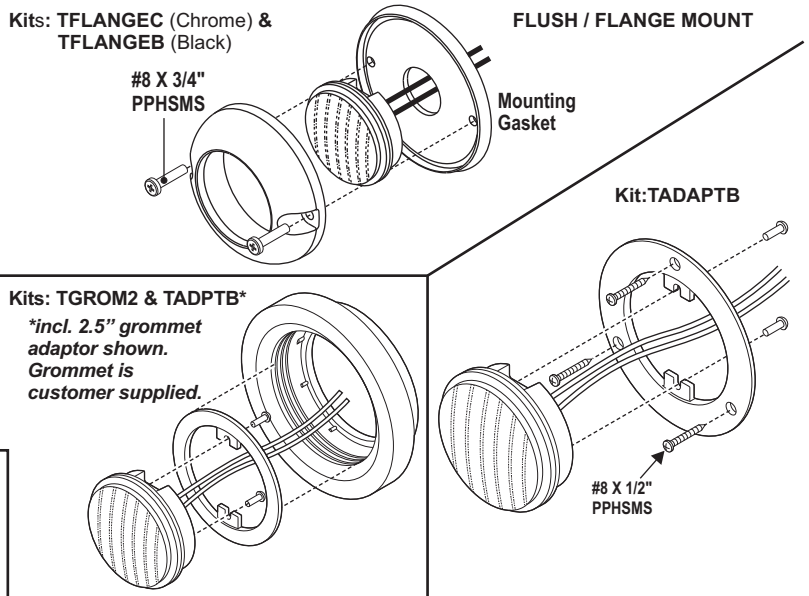
NOTE: This product draws significantly less current than a standard incandescent automotive bulb. If your flasher does not operate properly, it may be necessary to replace your existing flasher module with a Whelen 3TERM flasher. **All customer supplied wires must be sized to supply at least 125% of the maximum operating current and be sized at the battery to carry the load.**

Flange Mount:

1. Position the flange (or the mounting gasket if mounting the flush flange) against the proposed mounting surface at the desired location. The assembly must not interfere with existing equipment. Be aware of any items on the opposite side of the mounting surface.
2. Using a scribe or similar tool, mark off the mounting holes and the 1" wire access hole onto the mounting surface. Using a drill bit sized for the mounting screw and the thickness of the mounting surface, drill 3 (2 for flush flange) mounting holes.
3. Drill the 1" diameter wire access hole in the area marked. Be sure to install a grommet (customer supplied) into this hole.
4. Extend the wires (Minimum wire size / 18 AWG) through the wire passage hole and to their designations (see wiring diagram). Fuse the +12VDC connections at 3 Amps and test lighthead before securing to vehicle.
5. For the 2 flat flange mounts, first mount the flange onto the LED assembly using the lens screws from the lighthead as shown and then mount this assembly to the vehicle using the supplied mounting hardware. For the flush flange mount, mount as shown in the diagram (the mounting screws secure the unit).

Grommet Mount:

1. Confirm the assembly will not interfere with existing equipment. Be aware of any items on the opposite side of the mounting surface.
2. Using a scribe or similar tool, mark off the hole size of the grommet onto the desired mounting location. This will be either a 2-5/16" hole for the Whelen 2" grommet or the size indicated in the instructions included with the customer supplied 2.5" grommet. Now cut the mounting hole out and de-burr it.
3. Insert the lighthead into the grommet (if using the large grommet, first attach the lighthead to the adapter with the lighthead lens screws as shown) then snap the grommet into the mounting hole.
4. Extend the wires (minimum 18 AWG wire size), through the wire passage hole and to their designations (see wiring diagram). Fuse the +12VDC connections at 3 amps and test the lighthead before securing it to the vehicle.



<p>For replacement part numbers and other helpful information, please visit our website at:</p> <p>www.whelen.com/install</p>	<p>WIRING</p>
	<p>Light Head</p> <p>+12VDC - Fuse @ 1A</p> <p>BLACK</p> <p>GROUND</p>

Warnings to Installers

Whelen's emergency vehicle warning devices must be properly mounted and wired in order to be effective and safe. Read and follow all of Whelen's written instructions when installing or using this device. Emergency vehicles are often operated under high speed stressful conditions which must be accounted for when installing all emergency warning devices. Controls should be placed within convenient reach of the operator so that he can operate the system without taking his eyes off the roadway. Emergency warning devices can require high electrical voltages and/or currents. Properly protect and use caution around live electrical connections. Grounding or shorting of electrical connections can cause high current arcing, which can cause personal injury and/or vehicle damage, including fire. Many electronic devices used in emergency vehicles can create or be affected by electromagnetic interference. Therefore, after installation of any electronic device it is necessary to test all electronic equipment simultaneously to insure that they operate free of interference from other components within the vehicle. Never power emergency warning equipment from the same circuit or share the same grounding circuit with radio communication equipment. All devices should be mounted in accordance with the manufacturer's instructions and securely fastened to vehicle elements of sufficient strength to withstand the forces applied to the device. Driver and/or passenger air bags (SRS) will affect the way equipment should be mounted. This device should be mounted by permanent installation and within the zones specified by the vehicle manufacturer, if any. Any device mounted in the deployment area of an air bag will damage or reduce the effectiveness of the air bag and may damage or dislodge the device. Installer must be sure that this device, its mounting hardware and electrical supply wiring does not interfere with the air bag or the SRS wiring or sensors. Mounting the unit inside the vehicle by a method other than permanent installation is not recommended as unit may become dislodged during swerving; sudden braking or collision. Failure to follow instructions can result in personal injury. Whelen assumes no liability for any loss resulting from the use of this warning device. **PROPER INSTALLATION COMBINED WITH OPERATOR TRAINING IN THE PROPER USE OF EMERGENCY WARNING DEVICES IS ESSENTIAL TO INSURE THE SAFETY OF EMERGENCY PERSONNEL AND THE PUBLIC.**

Warnings to Users

Whelen's emergency vehicle warning devices are intended to alert other operators and pedestrians to the presence and operation of emergency vehicles and personnel. However, the use of this or any other Whelen emergency warning device does not guarantee that you will have the right-of-way or that other drivers and pedestrians will properly heed an emergency warning signal. Never assume you have the right-of-way. It is your responsibility to proceed safely before entering an intersection, driving against traffic, responding at a high rate of speed, or walking on or around traffic lanes. Emergency vehicle warning devices should be tested on a daily basis to ensure that they operate properly. When in actual use, the operator must ensure that both visual and audible warnings are not blocked by vehicle components (i.e.: open trunks or compartment doors), people, vehicles, or other obstructions. It is the user's responsibility to understand and obey all laws regarding emergency warning devices. The user should be familiar with all applicable laws and regulations prior to the use of any emergency vehicle warning device. Whelen's audible warning devices are designed to project sound in a forward direction away from the vehicle occupants. However, because sustained periodic exposure to loud sounds can cause hearing loss, all audible warning devices should be installed and operated in accordance with the standards established by the National Fire Protection Association.