

# WHELEN<sup>®</sup>

ENGINEERING COMPANY INC.

51 Winthrop Road,  
Chester, Connecticut 06412-0684  
Phone: (860) 526-9504

Internet: [www.whelen.com](http://www.whelen.com)  
Sales e-mail: [autosale@whelen.com](mailto:autosale@whelen.com)  
Customer Service e-mail: [custserv@whelen.com](mailto:custserv@whelen.com)

## Installation Guide: TIR3™ Lighthead Mounting Bracket Model RBKT1, RBKT2

**⚠ WARNING:** This product can expose you to chemicals including Methylene Chloride which is known to the State of California to cause cancer, and Bisphenol A, which is known to the State of California to cause birth defects or other reproductive harm. For more information go to [www.P65Warnings.ca.gov](http://www.P65Warnings.ca.gov).

### Installation:

This bracket can mount to many different vehicles. This manual will cover mounting to a Ford Crown Victoria.

1. Open the hood and find the mounting area located just in front of the vehicles horns as shown in Fig. 1. **NOTE: While not essential, removing the vehicle grill (following vehicle manufacturers instructions) will make the installation easier.** Place the bracket onto the mounting surface in the exact mounting location. Mark off (onto the mounting surface) the location of the mounting holes, then remove the bracket and drill the mounting holes with an appropriately sized drill for the hardware.
2. Secure the lighthead to the bracket as shown on the next page.
3. Secure the bracket to the vehicle using the supplied mounting hardware.
4. Extend the lighthead wires to your power source and refer to the lighthead manual for wiring.

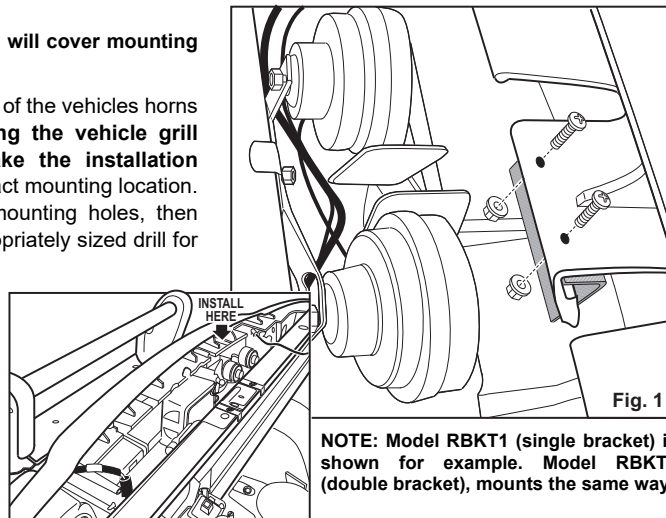


Fig. 1  
**NOTE:** Model RBKT1 (single bracket) is shown for example. Model RBKT2 (double bracket), mounts the same way.

©2004 Whelen Engineering Company Inc.  
Form No.13927A (062807)

**For warranty information regarding this product, visit [www.whelen.com/warranty](http://www.whelen.com/warranty)**

# WHELEN<sup>®</sup>

ENGINEERING COMPANY INC.

51 Winthrop Road,  
Chester, Connecticut 06412-0684  
Phone: (860) 526-9504

Internet: [www.whelen.com](http://www.whelen.com)  
Sales e-mail: [autosale@whelen.com](mailto:autosale@whelen.com)  
Customer Service e-mail: [custserv@whelen.com](mailto:custserv@whelen.com)

## Installation Guide: TIR3™ Lighthead Mounting Bracket Model RBKT1, RBKT2

**⚠ WARNING:** This product can expose you to chemicals including Methylene Chloride which is known to the State of California to cause cancer, and Bisphenol A, which is known to the State of California to cause birth defects or other reproductive harm. For more information go to [www.P65Warnings.ca.gov](http://www.P65Warnings.ca.gov).

### Installation:

This bracket can mount to many different vehicles. This manual will cover mounting to a Ford Crown Victoria.

1. Open the hood and find the mounting area located just in front of the vehicles horns as shown in Fig. 1. **NOTE: While not essential, removing the vehicle grill (following vehicle manufacturers instructions) will make the installation easier.** Place the bracket onto the mounting surface in the exact mounting location. Mark off (onto the mounting surface) the location of the mounting holes, then remove the bracket and drill the mounting holes with an appropriately sized drill for the hardware.
2. Secure the lighthead to the bracket as shown on the next page.
3. Secure the bracket to the vehicle using the supplied mounting hardware.
4. Extend the lighthead wires to your power source and refer to the lighthead manual for wiring.

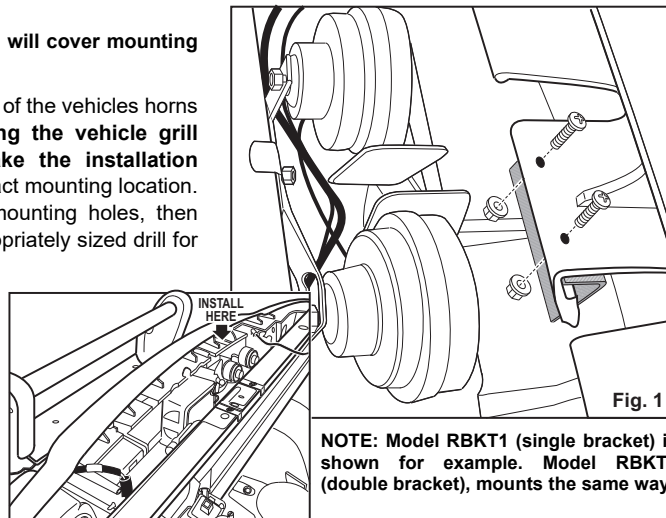


Fig. 1  
**NOTE:** Model RBKT1 (single bracket) is shown for example. Model RBKT2 (double bracket), mounts the same way.

©2004 Whelen Engineering Company Inc.  
Form No.13927A (062807)

**For warranty information regarding this product, visit [www.whelen.com/warranty](http://www.whelen.com/warranty)**

