

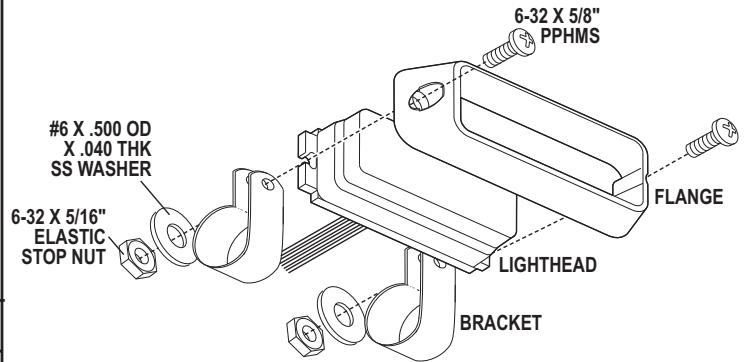
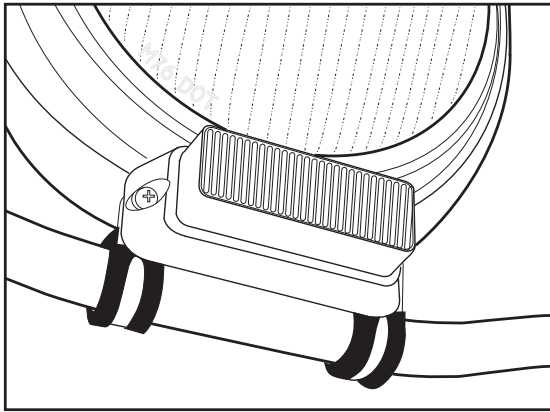
WHELEN[®]

ENGINEERING COMPANY INC.

51 Winthrop Road,
Chester, Connecticut 06412-0684
Phone: (860) 526-9504

Installation Guide:
TIR3™ Under Headlight Bracket Model RBKTHD5
Harley-Davidson® with State Police Package

Internet: www.whelen.com
Sales e-mail: autosale@whelen.com
Customer Service e-mail: custserv@whelen.com



Installation:

This bracket will install onto the front cross brace, under the headlight.

Using the supplied mounting hardware, secure the lighthouse to the motorcycle following the order shown here. Extend the wires to your power source and consult your lighthouse manual for wiring information.

©2004 Whelen Engineering Company Inc.
Form No.13936B (051909)

For warranty information regarding this product, visit www.whelen.com/warranty

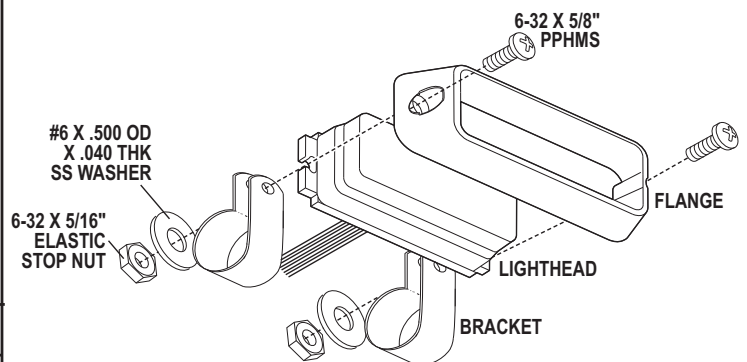
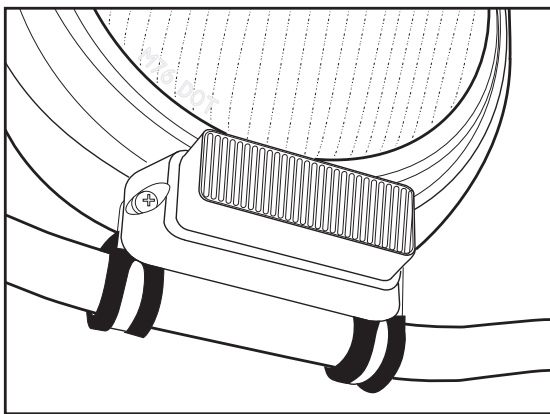
WHELEN[®]

ENGINEERING COMPANY INC.

51 Winthrop Road,
Chester, Connecticut 06412-0684
Phone: (860) 526-9504

Installation Guide:
TIR3™ Under Headlight Bracket Model RBKTHD5
Harley-Davidson® with State Police Package

Internet: www.whelen.com
Sales e-mail: autosale@whelen.com
Customer Service e-mail: custserv@whelen.com



Installation:

This bracket will install onto the front cross brace, under the headlight.

Using the supplied mounting hardware, secure the lighthouse to the motorcycle following the order shown here. Extend the wires to your power source and consult your lighthouse manual for wiring information.

©2004 Whelen Engineering Company Inc.
Form No.13936B (051909)

For warranty information regarding this product, visit www.whelen.com/warranty