

# WHELEN<sup>®</sup>

ENGINEERING COMPANY INC.

51 Winthrop Road,  
Chester, Connecticut 06412-0684  
Phone: (860) 526-9504

**Installation Guide:**  
**Model RBKTHD6 or 5BKT2 Mounting Bracket**  
**Harley-Davidson<sup>®</sup> Passing / Fog Light Mount**

**Internet:** [www.whelen.com](http://www.whelen.com)  
**Sales e-mail:** [autosale@whelen.com](mailto:autosale@whelen.com)  
**Customer Service e-mail:** [custserv@whelen.com](mailto:custserv@whelen.com)

### Installation:

1. Remove the clamp ring from the fog light and lift the fog light out. Unscrew both wire terminals, cut the fork terminal off of the end of the GREY-BLACK wire and set the light aside.
2. Remove both allen-head screws from the passing light mounting bracket and unscrew the nut holding the wire guide. Carefully lower the light and let it hang while you slide the grey fog light wire out of the bottom of the tube.
3. Remove the washer indicated and replace it with the lighthouse mounting bracket.

### Reassembly:

1. Thread the fog light wire up through the guide tube until it protrudes out of the fog light body.
2. Replace the nut on the bottom of the wire guide, then reattach the passing lights body with the 2 allen-head screws.
3. Reattach the 2 fog light wires removed previously (you can attach the wire you removed from the fork terminal with or without reinstalling another fork terminal.).
4. Secure the fog light with the clamp ring.
5. Mount the new lighthouse to its bracket as shown.
6. Extend the lighthouse wires to your power source and connect as described in the lighthouse manual.

©2005 Whelen Engineering Company Inc.  
Form No.13995A (060707)

**For warranty information regarding this product, visit [www.whelen.com/warranty](http://www.whelen.com/warranty)**

# WHELEN<sup>®</sup>

ENGINEERING COMPANY INC.

51 Winthrop Road,  
Chester, Connecticut 06412-0684  
Phone: (860) 526-9504

**Installation Guide:**  
**Model RBKTHD6 or 5BKT2 Mounting Bracket**  
**Harley-Davidson<sup>®</sup> Passing / Fog Light Mount**

**Internet:** [www.whelen.com](http://www.whelen.com)  
**Sales e-mail:** [autosale@whelen.com](mailto:autosale@whelen.com)  
**Customer Service e-mail:** [custserv@whelen.com](mailto:custserv@whelen.com)

### Installation:

1. Remove the clamp ring from the fog light and lift the fog light out. Unscrew both wire terminals, cut the fork terminal off of the end of the GREY-BLACK wire and set the light aside.
2. Remove both allen-head screws from the passing light mounting bracket and unscrew the nut holding the wire guide. Carefully lower the light and let it hang while you slide the grey fog light wire out of the bottom of the tube.
3. Remove the washer indicated and replace it with the lighthouse mounting bracket.

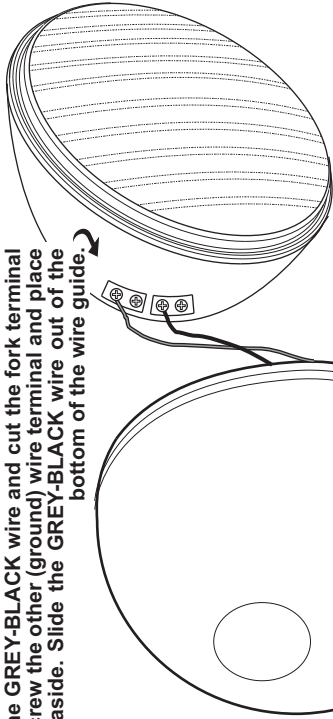
### Reassembly:

1. Thread the fog light wire up through the guide tube until it protrudes out of the fog light body.
2. Replace the nut on the bottom of the wire guide, then reattach the passing lights body with the 2 allen-head screws.
3. Reattach the 2 fog light wires removed previously (you can attach the wire you removed from the fork terminal with or without reinstalling another fork terminal.).
4. Secure the fog light with the clamp ring.
5. Mount the new lighthouse to its bracket as shown.
6. Extend the lighthouse wires to your power source and connect as described in the lighthouse manual.

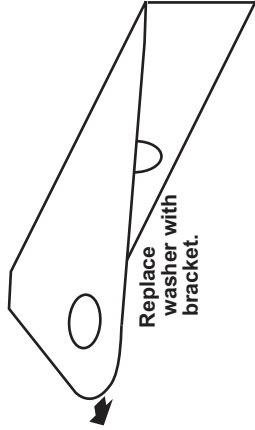
©2005 Whelen Engineering Company Inc.  
Form No.13995A (060707)

**For warranty information regarding this product, visit [www.whelen.com/warranty](http://www.whelen.com/warranty)**

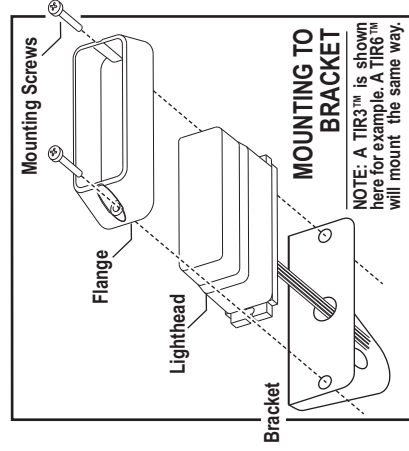
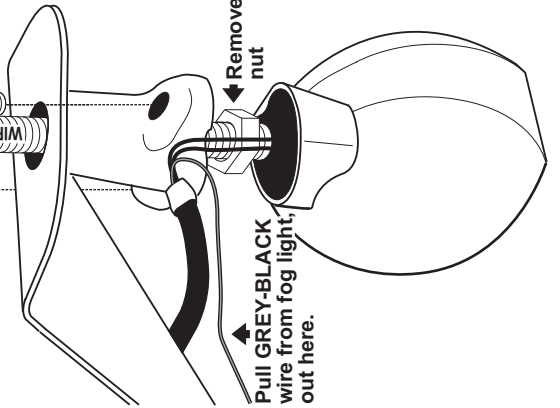
Disconnect the GREY-BLACK wire and cut the fork terminal off, then unscrew the other (ground) wire terminal and place the fog light aside. Slide the GREY-BLACK wire out of the bottom of the wire guide.



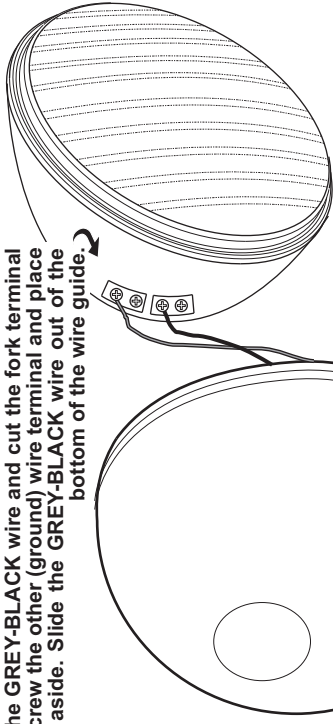
Remove clamp ring and pull fog light out.



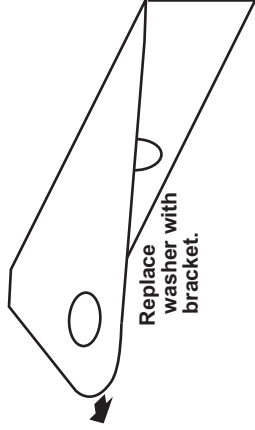
Remove washer  
Remove Allen screws



Disconnect the GREY-BLACK wire and cut the fork terminal off, then unscrew the other (ground) wire terminal and place the fog light aside. Slide the GREY-BLACK wire out of the bottom of the wire guide.



Remove clamp ring and pull fog light out.



Remove washer  
Remove Allen screws

