

WHELEN[®]

ENGINEERING COMPANY INC.

51 Winthrop Road,
Chester, Connecticut 06412-0684
Phone: (860) 526-9504

Internet: www.whelen.com
Sales e-mail: autosale@whelen.com
Customer Service e-mail: custserv@whelen.com

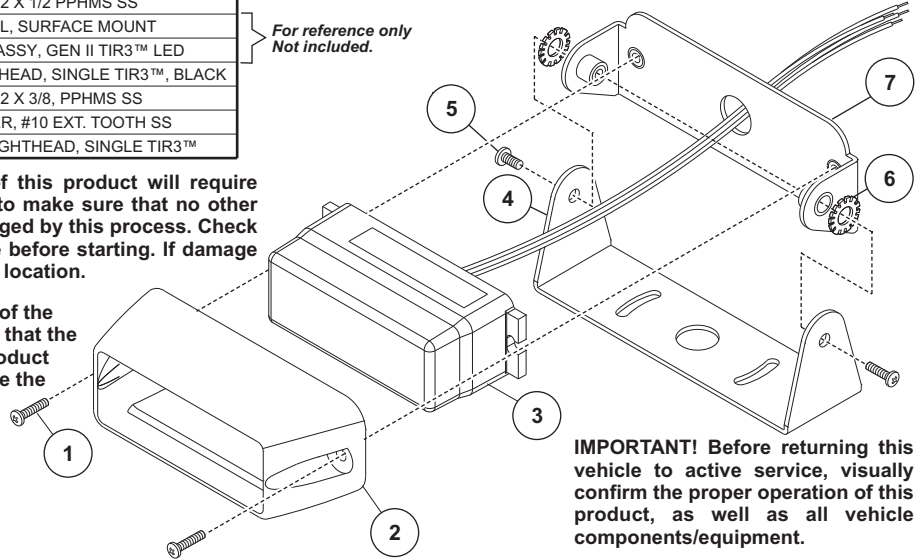
Installation Guide: Model RBKT4 Swivel Bracket TIR3™ and LIN3™ Lighthoods

QTY	ITEM	PART NUMBER	DESCRIPTION
*		01-0464878-00	LIGHTHEAD, GEN II TIR3™ LED
2	1	14-062216-080	SCREW, #6-32 X 1/2 PPHMS SS
REF	2	11-764677-000	FLANGE, TALL, SURFACE MOUNT
REF	3	01-0264451-__	LIGHTHEAD ASSY, GEN II TIR3™ LED
1	4	11-364853-007	BASE, LIGHTHEAD, SINGLE TIR3™, BLACK
2	5	14-082216-060	SCREW, #8-32 X 3/8, PPHMS SS
2	6	16-1011320-20	LOCKWASHER, #10 EXT. TOOTH SS
1	7	07-264854-023	BRACKET, LIGHTHEAD, SINGLE TIR3™

RBKT4 Follow the mounting configuration below. The screws that mount the bracket to the vehicle are customer supplied.

WARNING! Permanent mounting of this product will require drilling. It is absolutely necessary to make sure that no other vehicle components could be damaged by this process. Check both sides of the mounting surface before starting. If damage is likely, select a different mounting location.

IMPORTANT: It is the responsibility of the installation technician to make sure that the installation and operation of this product will not interfere with or compromise the operation or efficiency of any vehicle equipment!



IMPORTANT! Before returning this vehicle to active service, visually confirm the proper operation of this product, as well as all vehicle components/equipment.

©2007 Whelen Engineering Company Inc.
Form No.14091 (012907)

For warranty information regarding this product, visit www.whelen.com/warranty

WHELEN[®]

ENGINEERING COMPANY INC.

51 Winthrop Road,
Chester, Connecticut 06412-0684
Phone: (860) 526-9504

Internet: www.whelen.com
Sales e-mail: autosale@whelen.com
Customer Service e-mail: custserv@whelen.com

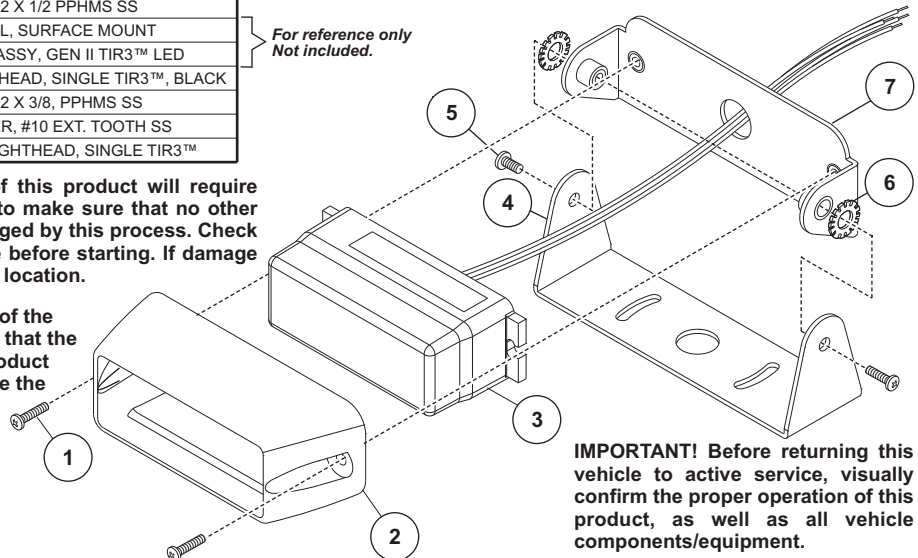
Installation Guide: Model RBKT4 Swivel Bracket TIR3™ and LIN3™ Lighthoods

QTY	ITEM	PART NUMBER	DESCRIPTION
*		01-0464878-00	LIGHTHEAD, GEN II TIR3™ LED
2	1	14-062216-080	SCREW, #6-32 X 1/2 PPHMS SS
REF	2	11-764677-000	FLANGE, TALL, SURFACE MOUNT
REF	3	01-0264451-__	LIGHTHEAD ASSY, GEN II TIR3™ LED
1	4	11-364853-007	BASE, LIGHTHEAD, SINGLE TIR3™, BLACK
2	5	14-082216-060	SCREW, #8-32 X 3/8, PPHMS SS
2	6	16-1011320-20	LOCKWASHER, #10 EXT. TOOTH SS
1	7	07-264854-023	BRACKET, LIGHTHEAD, SINGLE TIR3™

RBKT4 Follow the mounting configuration below. The screws that mount the bracket to the vehicle are customer supplied.

WARNING! Permanent mounting of this product will require drilling. It is absolutely necessary to make sure that no other vehicle components could be damaged by this process. Check both sides of the mounting surface before starting. If damage is likely, select a different mounting location.

IMPORTANT: It is the responsibility of the installation technician to make sure that the installation and operation of this product will not interfere with or compromise the operation or efficiency of any vehicle equipment!



IMPORTANT! Before returning this vehicle to active service, visually confirm the proper operation of this product, as well as all vehicle components/equipment.

©2007 Whelen Engineering Company Inc.
Form No.14091 (012907)

For warranty information regarding this product, visit www.whelen.com/warranty